

LUNERA CFL LED UNIVERSAL MOUNT

LED Replacement for 4-pin G24q Compact Fluorescent

Lamps Type B - Ballast Bypassed

Description

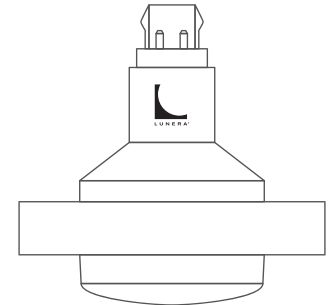
The **LUNERA CFL LED G24Q UNIVERSAL MOUNT** is a line driven, (Type B, ballast bypassed) LED replacement for compact fluorescent lamps with a 4-pin G24q base. The lamp replaces 13W ~ 42W CFLs and is available in various lumen packages up to 3,500 lumens. The built-in driver allows lamp operation at 120V ~ 277V.

The LUNERA CFL LED G24Q UNIVERSAL MOUNT is packaged with mounting accessories making it universally installable in single or dual-lamp fixtures with either vertical or horizontal mount 4-pin sockets.

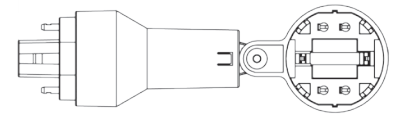
The lamps have a Color Rendering Index (CRI) of >80 and deliver up to 1,200 (10W), 2,300 (20W), or 3,500 (30W) lumens of usable light. Fitted with an acrylic frosted lens for improved optics, they are available in 2700K, 3000K, 3500K, and 4000K color temperatures.

Lunera CFL LED G24Q UNIVERSAL MOUNT is rated at 50,000 hours and backed by a five-year warranty. It does not contain mercury, allowing for non-hazardous waste disposal.

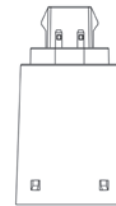
This is a Type B (ballast bypassed) lamp and does not support ballasts or LED drivers. The fixture socket must be wired into AC line voltage.



Lamp with 4-pin G24q -1 / -2 / -3
Compatible Base



4-pin G24q -1 / -2 / -3 Horizontal to
Vertical Mounting Accessory



4-pin G24Q -2 / -3 Vertical
Extension Accessory

Features

- Directly replaces 13W/18W/26W/32W/42W compact fluorescent lamps with 10W/20W/30W LED
- Ballast Bypass (Type B Installation - supports line driven 120V-277V
- Compatible with 4-pin G24q-1 / -2 / -3 CFL sockets, horizontally or vertically-mounted
- Delivers up to 1,100 lumens (10W) / 2,300 lumens (20W) / or 3,500 lumens (30W)
- >80 CRI
- CCT 2700K, 3000K, 3500K, 4000K
- 50,000 hours life to L70
- 5 Year Warranty



Ordering Information

Example: HN-PLVH-G24Q-L-10W-827

Series	Socket Type	Base	Power Supply	Lamp Wattage	CCT
HN Lunera CFL LED	PLVH Universal Mount	G24Q 4-pin G24Q	L Ballast Bypassed Supports 120V~277V	Replaces up to 42W with: 10W (1,200 lumens) 20W (2,300 lumens) 30W (3,500 lumens)	827: 2700K 830: 3000K 835: 3500K 840: 4000K

Product Specifications

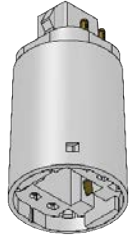
Illumination	
Color Temperatures	3000K, 3500K, 4000K, 5000K
Lumens (Bare Lamp)	Up to 1,200lm @ 10W 2,300lm @ 20W 3,500lm @ 30W
CRI	>80
Color Consistency	Lunera TruColor LED Selection
Lumen Maintenance (L70)	50,000+ hours life
Electrical System	
Input Voltage	120V ~ 277V 50/60Hz AC Line Voltage
Lamp Power / Total Power	10W, 20W or 30W
Lamp Wattage Replaced	13W, 18W, 26W, 32W, or 42W
Dimming	No
Physical	
Weight	0.45lbs
Housing and Finish	Body: Thermoplastic, White Heat Sink: Metal, Painted White
Optics	Optical Acrylic Diffusion
Mounting (socket orientation)	G24Q: Vertical or Horizontal
Environment	
Ambient Operating Temp	-40°F to 150°F
Ambient Operating Humidity	Dry and Damp Certified
Installation	
Socket Type	G24q 4-pin CFL Socket
Line Voltage	Yes (120V ~ 277V). Not for use with ballasts or LED drivers
Certifications & Qualifications	
UL (US and Canada)	Classified (UL1598-C)
RoHS Compliant	Contains no lead or mercury
LM79, LM80, IES Files	Available. Contact Lunera.
DesignLights Consortium Listed	No
Warranty	
Warranty	5 years

Universal Mounting Accessories for 4-pin (G24q socket) Installation

The LUNERA CFL LED G24Q UNIVERSAL MOUNT lamp is packaged with two installation mounting accessories. Both accessories are mechanical, snap-in installation and require no additional installation hardware or wiring.

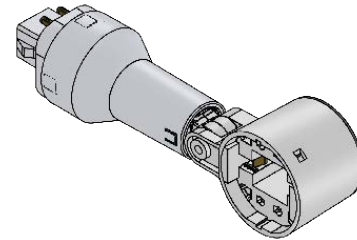
Vertical Fixture Compartments Extender

The Vertical Mount Extender is used for deep fixtures where its desirable to move the lamp's lens surface closer to the fixture opening. This accessory will extend the neck of the lamp by approximately 2 inches.



Articulated Telescoping Horizontal Extender



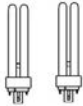

The Articulated Telescoping Horizontal Extender is for use in fixtures with horizontally-mounted sockets. This accessory both adapts the existing horizontal socket into a vertical-mount socket through its articulated joint and facilitates centering of the lamp in the fixture opening with its telescoping/swiveling arm.



Application Notes

Lamp Replacement Compatibility

The LUNERA CFL LED G24Q UNIVERSAL MOUNT is a line driven (ballast bypassed) LED replacement for the following types of ballast driven CFLs with a 4-pin G24q-1/-2/-3 base:

Lunera CFL LED G24q	Replaces G24q Base CFL Lamps with Wattages* / Delivered Lumen (up to)		
	Horizontal		Vertical
LED Type B (Line Driven)	1 CFL Lamp	2 CFL Lamps	1 CFL Lamp
			
10W* 1,200lm	18W* 800lm	13W (x2) 1,200lm	18W 800lm
20W 2,300lm	42W 1,600lm	26W (x2) 2,000lm	42W 1,600lm
30W 3,500lm	—	42W (x2) 2,900lm	—

* To determine energy savings, use system wattage:
 For LED, lamp wattage = system wattage.
 For CFL, wattage shown is lamp wattage only. Add apx. 10% to CFL lamp wattage.

Lamp installation in the following conditions and applications voids the product warranty:

- Line voltage above 277VAC
- LED drivers or with a ballast
- Installation in wet environments
- Installation in broken, cracked, dirty or rusted sockets
- Improper wiring to the socket or lamp

* Operation is subject to the following conditions:
 (1) this device may not cause harmful interference, and
 (2) this device must accept any interference received,
 including interference that may cause undesired operations.

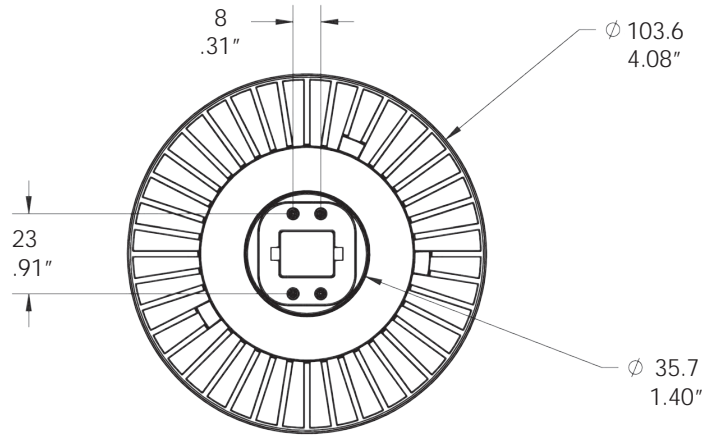
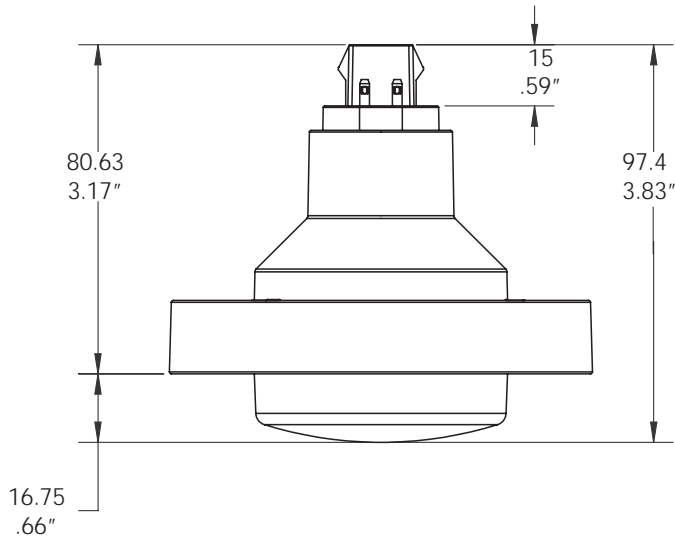
CAUTION

Turn OFF power when installing the lamp.

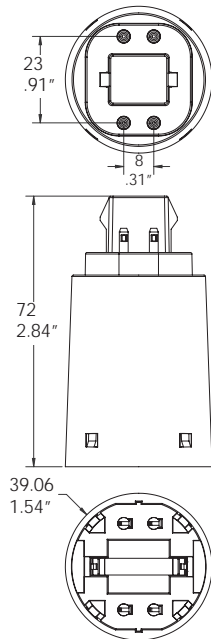
CAUTION - IF THE LAMP OR LUMINAIRE EXHIBITS UNDESIRABLE OPERATION (BUZZING, FLICKERING, ETC.), IMMEDIATELY TURN OFF POWER, REMOVE LAMP FROM LUMINAIRE AND CONTACT MANUFACTURER.

Dimensions

4-pin G24q Connector



4-pin G24q Vertical Extension Accessory



4-pin G24q Articulated Telescoping Horizontal Extender

