

GE  
Lighting

# Albeo™ LED Luminaire

High Bay Lighting  
(ABV-Series)



imagination at work

## Product Features

Albeo continues to build on the groundbreaking ABH-Series high bay LED luminaire with its latest high bay, the ABV-Series. Utilizing a new form factor, the ABV-Series offers customers the best mixture of value and performance.

### Applications

- Designed to meet recommended luminance and illuminance requirements for High bay and Low bay applications.



### Housing

- Combination of steel and aluminum housing.

### LED & Optical Assembly

- ABV-Series lens system enable LEDs to provide optimized illumination for open floor and racked aisles with photometric distributions of 120 degrees.
- Utilizes high brightness LEDs, 80 CRI at 4000K.
- LM-79, LM 80 tests and reports are performed in accordance to IESNA standards.

### Ratings

- DLC Listed
- RoHs
-   UL 1598 Suitable for Damp Locations
- UL 8750 LED equipment in Lighting Products
- Temperature Rated at (-30°C to +55°C) (-22°F to 131°F). \*E output temperature rated at (0°C to +40°C) (32°F to 104°F).
- Projected L70(10k) ≥ 100,000 Life Hours per IES TM-21. \*E output projected L70(10K) ≥ 70,000 Life Hours per IES TM-21.

### Mounting

- 10" or "Y" Cable provided, ¾" optional.
- 6" whip cord offered.

### Finish

- Painted white finish

### Controls

- Motion and Daylight sensor can be combined with the ABV-Series for additional energy savings.
- Wireless controls and emergency battery backup options available.

### Electrical

- 120-277 volt.
  - System power factor is >90%\* and THD <20%.\*
  - EMI: FCC CFR Title 47 Part 15, Class A.
- \* System power factor and THD is tested and specified at 120V input and maximum load conditions.*

### Warranty

- 5-year limited system warranty standard.

## Ordering Number High Bay (ABV1)

**A B V 1 0 2 V 4 7 D N 4 2 A N W**

MODULE #	OUTPUT LEVEL	TYPICAL INITIAL LUMENS 80 CRI 4000K	TYPICAL SYSTEM WATTS 120V-277V 347V-480V	MAXIMUM AMBIENT TEMPERATURE
2	V	24160	190	55°C

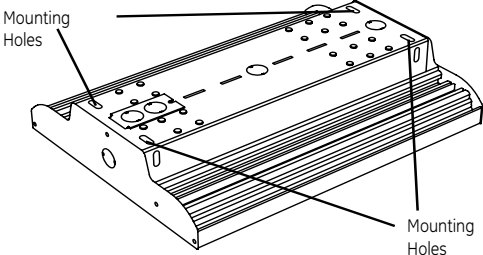
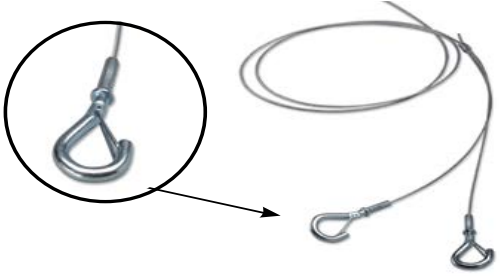


## Industry Awards



Accepted for inclusion in the 2014 IES Progress Report.  
Sponsored by the Illuminating Engineering Society.

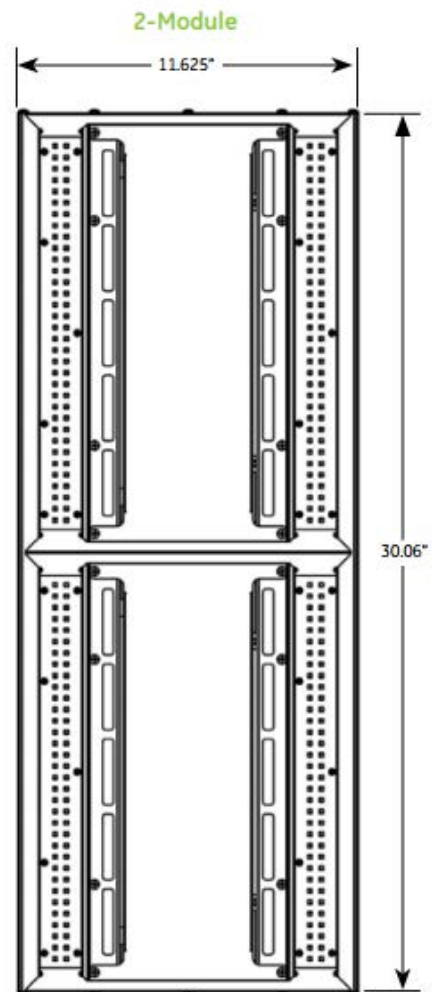
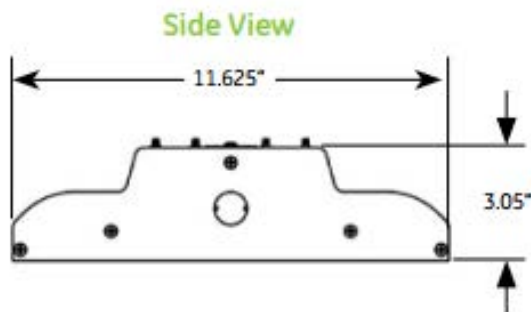
## Mounting & Accessories

MOUNTING OPTIONS	IMAGE	ORDER LOGIC CODE
<p><b>Standard Chain/Cable Mount</b> Available on all fixture configurations (chain not included). Y-Cable w/hook can be ordered as an accessory.</p>		<p>ST = Standard</p>
<p><b>Y-Cable w/hook (optional)</b> Use with Standard Mounting Option only. Order separately. Price adder per pair. 5 ft., 10 ft., 15 ft., 20 ft. lengths available.</p>		<p>41=Y-Cable-Hook-05ft-Pair      42=Y-Cable-Hook-10ft-Pair 43=Y-Cable-Hook-15ft-Pair 44=Y-Cable-Hook-20ft-Pair Max Load: 200 lbs. per pair</p>

Chain/cable mount is standard and included in price. Price adder for Y-Cable. Consult Sales for latest information. See "Installation Instructions" for mounting details.

## Product Dimensions

### High Bay (ABV1)



Max. Weight: 18 lbs.



[www.gelighting.com](http://www.gelighting.com)

GE and the GE Monogram are trademarks of the General Electric Company. All other trademarks are the property of their respective owners. Information provided is subject to change without notice. All values are design or typical values when measured under laboratory conditions. GE Lighting is a business of the General Electric Company. © 2016 GE.

ALB016 (Rev 02/16/16)