



Save 60-70% with the OEO EZ LED direct replacement for Metal Halide bulbs. Simply screw it in - it's "EZ!"

FEATURES

- Simply screw in EZ LED to existing open high bay fixtures
- Reduces energy consumption by 60-70%
- Long life LED 50,000 hours, L70
- 5 year warranty
- 5,000K; 84 CRI
- No mercury or hazardous materials
- Requires no ballast bypass, no rewiring, no electrician
- Quickest way to upgrade to LED technology
- Lumen maintenance significantly better than metal halides
- Fast ROI payback
- Reduced HVAC costs since LED is 90% cooler than Metal Halides
- Reduced material and labor costs over 50,000 hrs

OVERVIEW

OEO EZ LED is designed to directly replace 250W-400W metal halide lamps. It is compatible with your traditional HID fixtures and emits better light without rewiring the fixture. Simply remove the MH bulb and replace it with the EZ LED for longer life while using a fraction of the power.

APPLICATIONS

- Warehouse and Manufacturing Facilities
- Gymnasiums and Sport Arenas
- Big Box Retailers
- Cold Storage Facilities
- Convention Centers



BEFORE



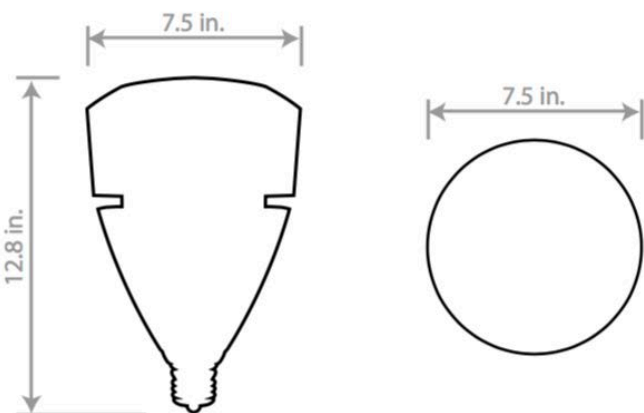
AFTER

PRODUCT SPECIFICATIONS

Model	Power Consumption	Replaces	Suggested Mounting Height	Lumen Output	Energy Savings
OEO EZ LED 145	145W	250/400w MH	12 - 18 ft	11,739	68%
OEO EZ LED 180	180W	400w MH	18 - 25 ft +	15,300	60%

- Powered By: Metal Halide Ballast
- Open fixture usage only (no lens covers)
- Ballast type: M59, M155, M58, M132, M171 magnetic ballast only.
- Vertical mount mogul base
- Lumens Per Watt: 102 LPW
- Beam Angle: 95° Distribution
- Instant on/off; Instant restrike
- Optimal temperature: -3° F to 125° F

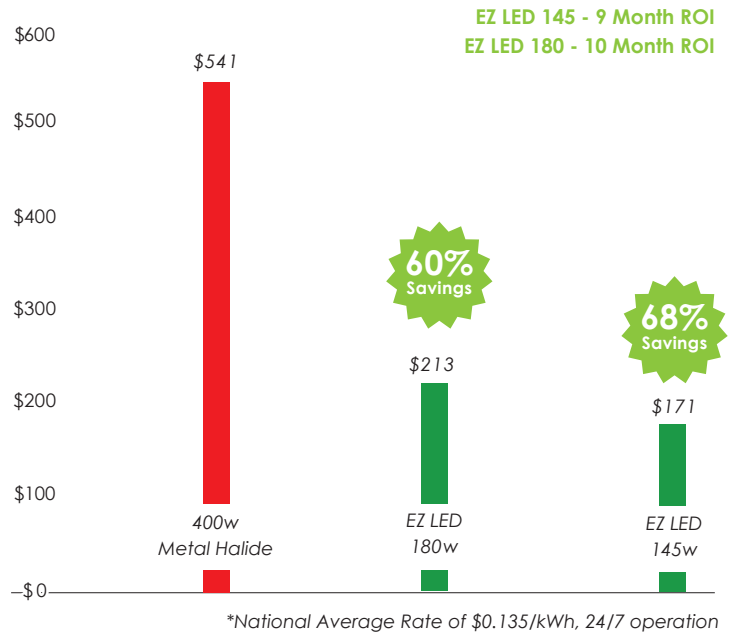
DIMENSIONS



Weight: 3.8 lbs

COMPARE

Annual Cost to Operate 1 High Bay Fixture



CERTIFICATIONS



RoHS

NOTES

- Will not function in high pressure sodium or electronic ballasts
- Will not function on bypassed ballasts
- Compatible with occupancy sensors