

**OPTIONAL  
PLUG-IN  
MOTION  
SENSOR**

**BALLAST COMPATIBLE LED FOR USE IN  
EXISTING METAL HALIDE FIXTURES**



(shown with optional motion sensor)

## FEATURES

- **The only plug & play LED with an optional built-in motion sensor. No re-wiring!**
- Aluminum passive heat sink designed for dusty, dirty conditions
- Better light output than a 400W metal halide and better lumen maintenance
- High efficiency output up to 141 lm/w
- 70%+ energy savings
- 5 year limited warranty
- Rebate eligible
- 50,000 hours
- Fast ROI payback
- PIR occupancy sensor saves extra 70%
- With sensor, LED dims to 30% power after 5 minutes of no activity

## APPLICATIONS

- Warehouse and Manufacturing Facilities
- Cold Storage Facilities
- Machine and Welding Shops

## CERTIFICATIONS



## OVERVIEW

The OEO EZ LED BC-P is designed to directly replace 250W/400W Metal-Halide lamps, be compatible with the traditional HID fixture and emit more light output without rewiring the fixture. Simply remove the MH bulb and replace it with the OEO EZ LED for longer life while using a fraction of the power. PIR occupancy sensor is available, saving an additional 70% on energy.



BEFORE

AFTER

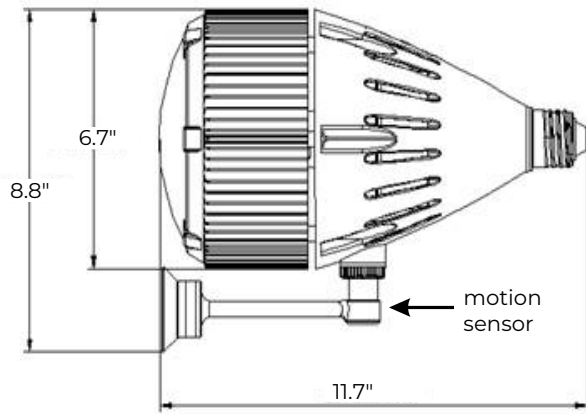
**PRODUCT SPECIFICATIONS**

**EFFICACY:** Up to 141 LM/W  
**WATTAGE:** 120W  
**LUMENS:** 18,000LM  
**POWERED BY:** Metal Halide Ballast  
**DIMMING:** Non-dimmable  
**FIXTURES:** Open only / No lens covers  
**BASE:** E39/EX39  
**CCT:** 5,000K  
**CRI:** 70  
**BEAM ANGLE:** 110°  
**MATERIALS:** Aluminum and plastic  
**OPERATING TEMP:** -3° F to 104° F

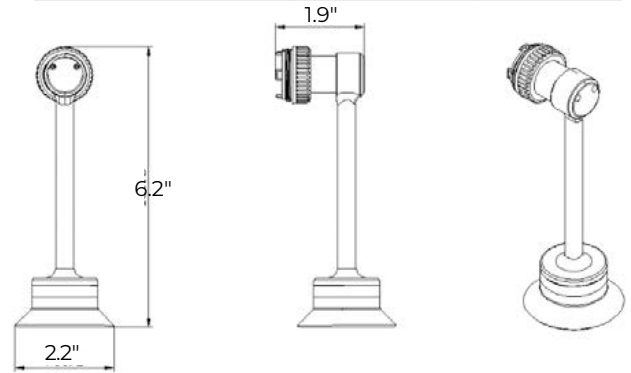
**MOTION SENSOR**

<b>Mounted Height</b>	13FT/ 4M	23FT/ 7M	33FT/ 10M(MAX)
<b>Sensing Range (Diameter)</b>	28 FT/ 8.4M	34.7FT/ 10.4M	37.3FT/ 11.2M
<b>Delay time to 30% luminous output</b>	Default 5Mins, 1-10Mins is optional		

**DIMENSIONS**



Items/Part No.	Diameter	Height
OEO EZ LED	6.7 in	11.7 in
Occupancy sensor	2.1 in	6.19 in



**ORDERING** ex. OEO-EZLED-BC-18K-P

Brand	Model	Power Supply	Lumens	Fan
<b>OEO</b>	<b>EZLED</b> High Bay Metal Halide Replacement	<b>BC</b> Ballast Compatible	<b>18K</b> 18,000 lm	<b>P</b> Passive Heat Sink

OPTIONAL MOTION SENSOR (ex. OEO-EZLED-MS)

Brand	Model	Motion Sensor
<b>OEO</b>	<b>EZLED</b> High Bay Metal Halide Replacement	<b>MS</b> Motion Sensor

**NOTES**

**The following instructions must be complied with to avoid risk of personal injury, property damage and poor lamp performance.**  
 FOR USE WITH FUNCTIONAL, 400 WATT M59 OR M155 MAGNETIC BALLASTS. USE ONLY IN PROPERLY RATED BALLASTS. DO NOT USE IN FULLY-ENCLOSED METAL HALIDE FIXTURES. (IF EXISTING FIXTURES HAVE COVERS OR DIFFUSERS ON THE BOTTOM OF THE EXISTING FIXTURE, SIMPLY REMOVE THE COVERS BEFORE USING THE "EZ LED"). DO NOT USE IN SODIUM VAPOR BALLASTS. DO NOT USE IN MERCURY VAPOR BALLASTS. DO NOT USE IN ELECTRONIC BALLASTS. DO NOT USE IN DAMP ENVIRONMENTS. DO NOT USE IN FIXTURES WHERE THE EXISTING FIXTURE BALLAST HAS BEEN BYPASSED. FAILURE TO ADHERE TO INSTRUCTIONS VOIDS WARRANTY.