



**OPTIONAL
PLUG-IN
MOTION
SENSOR**

**REQUIRES BALLAST BYPASS/DIRECT
LINE-VOLTAGE ONLY**



(shown with optional motion sensor)

FEATURES

- Simply bypass ballast to retrofit your current high bay open fixtures; 110-277V direct
- Aluminum passive heat sink designed for dusty, dirty conditions
- Better light output than 400W HID and better lumen maintenance
- High efficiency output up to 141 lm/w
- 70%+ energy savings
- 50,000 hours
- 5 year warranty
- DLC rebate eligible
- Fast ROI payback
- Optional built in PIR occupancy sensor saves extra 70%
- With sensor, LED dims to 30% power after 10 minutes of no activity

APPLICATIONS

- Warehouse and Manufacturing Facilities
- Cold Storage Facilities
- Machine and Welding Shops

CERTIFICATIONS



OVERVIEW

The OEO EZ LED BB-P is designed to replace your HID bulbs, and is compatible with traditional HID fixtures. Simply replace your bulbs, wiring direct 110-277V, without disassembling the fixture. Get longer life using a fraction of the power. PIR occupancy sensor is available, saving an extra 70% on energy.



BEFORE

AFTER

PRODUCT SPECIFICATIONS

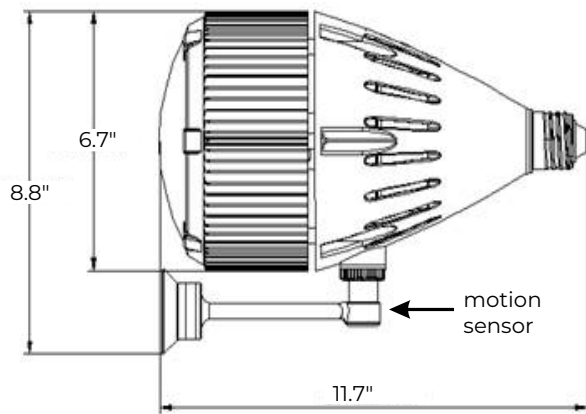
EFFICACY: Up to 141 LM/W
WATTAGE: 105W
LUMENS: 15,000LM
POWERED BY: 110-277V
DIMMING: Non-dimmable
FIXTURES: Open only / No lens covers
BASE: E39/EX39
CCT: 5,000K
CRI: 70
BEAM ANGLE: 110°
MATERIALS: Aluminum and plastic
OPERATING TEMP: -3° F to 104° F

MOTION SENSOR

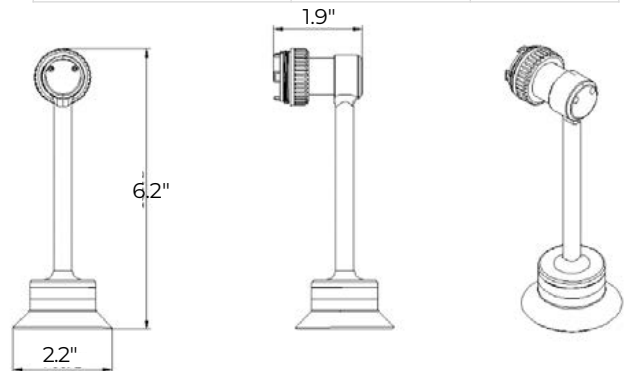
- Power MUST BE OFF before installing sensor
- Sensor needs 20 seconds Start Up for self-test
- After self-test and NO motion, the light dims to 30% output
- When motion detected, light is 100%
- Light dims to 30% after 10 minutes of NO motion

Mounted Height	13FT/ 4M	23FT/ 7M	33FT/ 10M(MAX)
Sensing Range (Diameter)	28 FT/ 8.4M	34.7FT/ 10.4M	37.3FT/ 11.2M

DIMENSIONS



Items/Part No.	Diameter	Height
OEO EZ LED	6.7 in	11.7 in
Occupancy sensor	2.1 in	6.19 in



ORDERING ex. OEO-EZLED-BB-15K-P

Brand	Model	Power Supply	Lumens	Fan
OEO	EZLED High Bay Metal Halide or High Pressure Sodium Replacement	BB Ballast Bypass 110-277V	15K 15,000 lm	P Passive Heat Sink

OPTIONAL MOTION SENSOR (ex. OEO-EZLED-MS)

Brand	Model	Motion Sensor
OEO	EZLED	MS Motion Sensor

NOTES

The following instructions must be complied with to avoid risk of personal injury, property damage and poor lamp performance. FOR USE ON DIRECT LINE VOLTAGE ONLY. USE IN EXISTING BALLAST WILL DESTROY THE LED AND VOID WARRANTY. USE OF THIS PRODUCT REQUIRES BALLAST BYPASS OF EXISTING HID FIXTURE. THIS PRODUCT WORKS ON DIRECT LINE VOLTAGE OF 110V-277V. NOT FOR USE IN FULLY ENCLOSED FIXTURES. IF EXISTING FIXTURES USE A COVER ON THE BOTTOM OF THE FIXTURE, REMOVE THE COVER. THIS PRODUCT CAN BE USED WITH EXISTING METAL OR PRISMATIC DONE REFLECTORS. FAILURE TO ADHERE TO INSTRUCTIONS VOIDS WARRANTY. POWER MUST BE SWITCHED OFF BEFORE INSTALLING THE MOTION SENSOR. LEAVING THE POWER ON MAY DAMAGE THE MOTION SENSOR AND VOID WARRANTY.