



**QUICK UPGRADE:
JUST PLUG IN FOR
141 LPW!**



FEATURES

- Simply Screw in EZ LED to Existing Open High Bay Fixtures
- Requires No Ballast Bypass, No Rewiring, No Electrician
- Quickest Way to Upgrade to LED Technology
- Reduces Energy Consumption By 50-60%
- Long Life LED 60,000 Hours, L70
- 5 Year Warranty
- Prevent Dark Ceilings with Optional Uplighting
- Fast ROI Payback
- 5,000K; 83+ CRI
- Reduced HVAC Costs Since LED is 90% Cooler than Metal Halides
- No Mercury or Hazardous Materials
- Rebate Eligible

APPLICATIONS

- Warehouse & Manufacturing
- Big Box Retailers
- Gymnasiums & Sports Arenas
- Auto Dealerships

CERTIFICATIONS



OVERVIEW

OEO EZ LED Ultra Series is designed to directly replace 175W to 400W metal halide lamps. It is compatible with your traditional HID fixtures and emits more light without rewiring the fixture. Simply remove the MH bulb and replace it with the EZ LED for longer life while using a fraction of the power.



BEFORE



AFTER

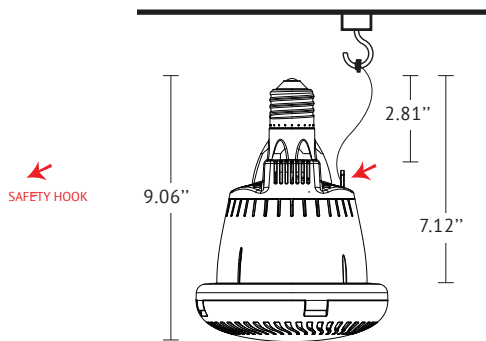
PRODUCT SPECIFICATIONS

*Glass/Acrylic Dome	BRIGHTEST W/ UPLIGHT	EZ-LED-VHO-U-5K				
	Installed Ballast	400W	350W	320W	250W	175W
	Wattage	205W	180W	170W	130W	90W
	Lumens	26,000 Lm	24,000 Lm	21,000 Lm	17,000 Lm	14,000 Lm

**Lumen Output and Power Consumption +/- 5%, based on actual magnetic ballasts.

- **POWERED BY:** Metal Halide Ballast
- **ENERGY SAVINGS:** 50-60%
- **MOUNTING:** Vertical, Open
- **BEAM ANGLE:** 95° Distribution
- **OPERATING TEMP:** -4°F to 131°F
- **START UP:** Instant on/off, Instant Re-strike

DIMENSIONS



MODEL: EZ-LED-VHO-U-5K

WEIGHT: 2.3 lbs

NOTES

- Compatible with Occupancy Sensors
- Magnetic Ballasts Only
- Will not function in Bypassed Ballasts, HPS Ballasts, Electronic Ballasts