

BALLAST BYPASS TLED LAMP

T8 LED U-Bend Tube

OEO offers multiple varieties of LEDs to replace your fluorescent tubes. Our LED tubes are an affordable, reliable, and smart alternative to inefficient T5, T8, and T12 fluorescents. These LED Ubend tubes are a great retrofit solution and offer a quick and easy way to upgrade your fixtures to energy savings LED.



FEATURES

- 22.4" T8 Ubend with 6" leg spacing
- Save up to 68% energy compared to fluorescent tubes.
- Easily upgrade your existing fixtures to LED
- Long life: L80 > 60,000 hours
- LEDs last 2.5x longer than fluorescents
- CRI > 80
- 5 year warranty
- Suitable for dry and damp environments
- NSF listed for food zone (non-contact), splash zone, and non-food zone
- DLC 5.1, rebate eligible

APPLICATIONS

- Office
- Classroom
- Schools & Universities
- Retail
- Hospital
- Hospitality
- Warehouse

CERTIFICATIONS



RoHS



SPECIFICATIONS

- **TYPE:** Ballast Bypass, Type B
- **SIZE:** 22.4" Ubend with 6" leg spacing
- **POWER:** 110-277v direct line voltage
- **INPUT:** Double ended
- **CRI:** 82
- **BEAM ANGLE:** 210°
- **DRIVER:** Integral driver
- **BASE:** G13 medium bi-pin
- **EFFICACY:** 125+ lumens per watt
- **OPERATING TEMP:** -4° to 113°F
- **WARRANTY:** 5 years / 50,000 hours
- **MANUFACTURER:** Universal Douglas

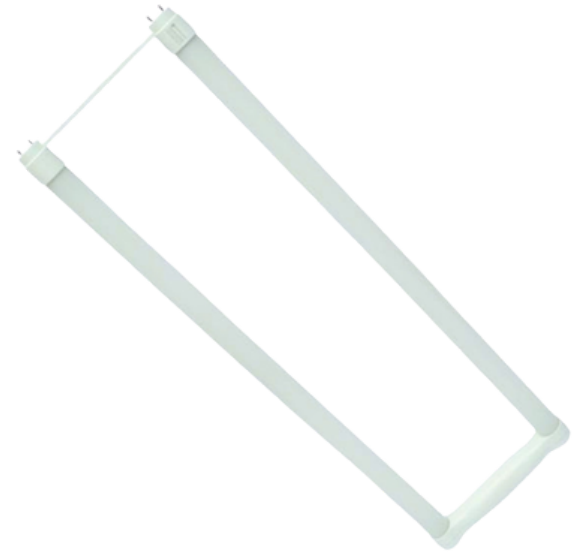
NOTE:

These type B tubes only operate on direct line voltage 110-277v and require existing fluorescent ballasts to be bypassed before installation.

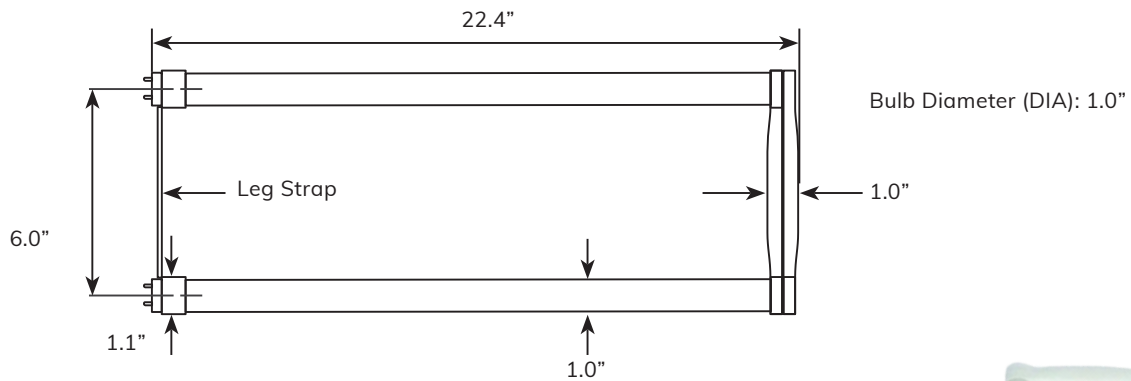
BALLAST BYPASS TLED T8 LED Ubend Tube – 22" with 6" Leg Spacing

PRODUCT DETAILS

Model	Nominal Length	Watts	Lumens	LPW	CCT
T8LACD6U15/835B12C	U-22"	15W	2,100 LM	132	3500K
T8LACD6U15/840B12C	U-22"	15W	2,100 LM	139	4000K



DIMENSIONS



WIRING DIAGRAM

