

# SYLVANIA Lamps

## ULTRA LED™ Lumen Selectable HIDr Lamps

### Application

ULTRA LED HID replacement lamps are ideal for indoor high/low bay lighting and outdoor decorative post top fixtures in walkway lighting applications. The SYLVANIA ULTRA LED high lumen lamp provides excellent color rendering (82 CRI) in comparison with traditional high pressure sodium and metal halide lamps, and a selection of color temperatures (3000K, 4000K or 5000K).

### Benefits and Features

- Lumen Selectability enabled by the switch located on the head of the lamp makes inventory management easy and allows for customizable light
- Up to 157 LPW
- 3000K, 4000K and 5000K color temperatures
- CRI >80
- Offered in 6 different lumen selectable models and 3 different color temperatures
- Energy savings up to 76%
- 360° beam angle (or omnidirectional) with Type V distribution
- Rated for open and enclosed fixtures

### Electrical

- 120-277V<sub>AC</sub>
- Power Factor >98%
- THD <20%
- Dimming optional with the sensor and remote for the 80 and 120W versions.
- Optical design efficiently directs light output in a 360° (horizontal) beam angle (or omnidirectional) with Type V distribution

### Rated Life

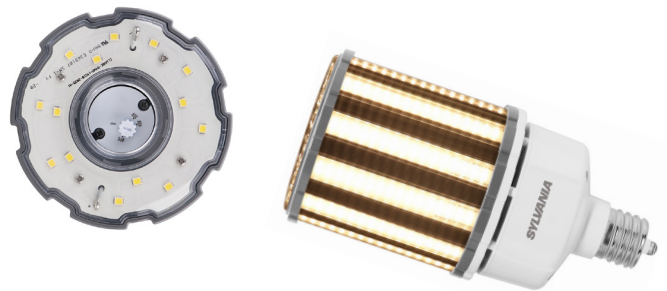
- 50,000 hours (L<sub>70</sub>)

### Warranty

- Standard 5 year lamp warranty
- NLB Trusted Warranty Program

### Ambient Operating Range

- -40°F to +122°F (-40°C to +50°C)



### Wattage Comparison

Traditional Source	Traditional System Wattage	LED System Wattage	Energy Savings	Energy Savings Over Lamp Life*
HID Metal Halide	150W	36W	76%	\$627
HID Metal Halide	150W	45W	70%	\$577
HID Metal Halide	175W	54W	69%	\$666
HID Metal Halide	250W	80W	68%	\$935
HID Metal Halide	320W	100W	69%	\$1210
HID Metal Halide	400W	120W	70%	\$1540

\*Energy savings over life of lamp calculated at \$0.11/kWh

### Certifications and Listings

- cULus (1598C and 1993 listed)
- RoHS
- FCC
- Lead Free
- Mercury Free
- DLC 5.1
- Damp Rated

### Installation

- Requires easy ballast bypass.
- Lamp operates directly on line voltage 120-277V<sub>AC</sub>
  - A safety cable is included with each 80W, 100W or 120W unit for additional support



## Specification Data

Catalog #	Type
Project	
Comments	
Prepared by	

### Ordering Guide

LED	XXX	HIDR	1A	/	UNV	8	XX	/	MOG
Product Name	Wattage	Product Type	Generation		Voltage	CRI	Color Temperature		Base Type
LED = LED Technology	36 = 36W 45 = 45W 54 = 54W 80 = 80W 100 = 100W 120 = 120W	HIDR = HID replacement bulb	1A = Generation 1A		UNV = 120-277V	8 = >80	30 = 3000K 40 = 4000K 50 = 5000K		MOG = Mogul Base

### Ordering Information

Item Number	Ordering Abbreviation	Total Wattage (W)*	LPW	Input Voltage (V)		Dimming	CRI	Color Temperature	Distribution	Case		
										Qty.	CEC	DLC
41425	LED36HIDR1A/UNV830/MOG	Selectable up to 36W	up to 143	120-277	–	> 80	3000K	Omnidirectional	4	Exempt	5.1	
41426	LED36HIDR1A/UNV840/MOG	Selectable up to 36W	up to 158	120-277	–	> 80	4000K	Omnidirectional	4	Exempt	5.1	
41427	LED36HIDR1A/UNV850/MOG	Selectable up to 36W	up to 158	120-277	–	> 80	5000K	Omnidirectional	4	Exempt	5.1	
41440	LED45HIDR1A/UNV830/MOG	Selectable up to 45W	up to 141	120-277	–	> 80	3000K	Omnidirectional	4	Exempt	5.1	
41441	LED45HIDR1A/UNV840/MOG	Selectable up to 45W	up to 157	120-277	–	> 80	4000K	Omnidirectional	4	Exempt	5.1	
41442	LED45HIDR1A/UNV850/MOG	Selectable up to 45W	up to 157	120-277	–	> 80	5000K	Omnidirectional	4	Exempt	5.1	
41428	LED54HIDR1A/UNV830/MOG	Selectable up to 54W	up to 144	120-277	–	> 80	3000K	Omnidirectional	4	Exempt	5.1	
41429	LED54HIDR1A/UNV840/MOG	Selectable up to 54W	up to 155	120-277	–	> 80	4000K	Omnidirectional	4	Exempt	5.1	
41430	LED54HIDR1A/UNV850/MOG	Selectable up to 54W	up to 155	120-277	–	> 80	5000K	Omnidirectional	4	Exempt	5.1	
41431	LED80HIDR1A/UNV830/MOG	Selectable up to 80W	up to 142	120-277	Optional	> 80	3000K	Omnidirectional	4	Exempt	5.1	
41432	LED80HIDR1A/UNV840/MOG	Selectable up to 80W	up to 155	120-277	Optional	> 80	4000K	Omnidirectional	4	Exempt	5.1	
41433	LED80HIDR1A/UNV850/MOG	Selectable up to 80W	up to 155	120-277	Optional	> 80	5000K	Omnidirectional	4	Exempt	5.1	
41434	LED100HIDR1A/UNV830/MOG	Selectable up to 100W	up to 142	120-277	Optional	> 80	3000K	Omnidirectional	4	Exempt	5.1	
41435	LED100HIDR1A/UNV840/MOG	Selectable up to 100W	up to 153	120-277	Optional	> 80	4000K	Omnidirectional	4	Exempt	5.1	
41436	LED100HIDR1A/UNV850/MOG	Selectable up to 100W	up to 153	120-277	Optional	> 80	5000K	Omnidirectional	4	Exempt	5.1	
41437	LED120HIDR1A/UNV830/MOG	Selectable up to 120W	up to 143	120-277	Optional	> 80	3000K	Omnidirectional	4	Exempt	5.1	
41438	LED120HIDR1A/UNV840/MOG	Selectable up to 120W	up to 155	120-277	Optional	> 80	4000K	Omnidirectional	4	Exempt	5.1	
41439	LED120HIDR1A/UNV850/MOG	Selectable up to 120W	up to 155	120-277	Optional	> 80	5000K	Omnidirectional	4	Exempt	5.1	

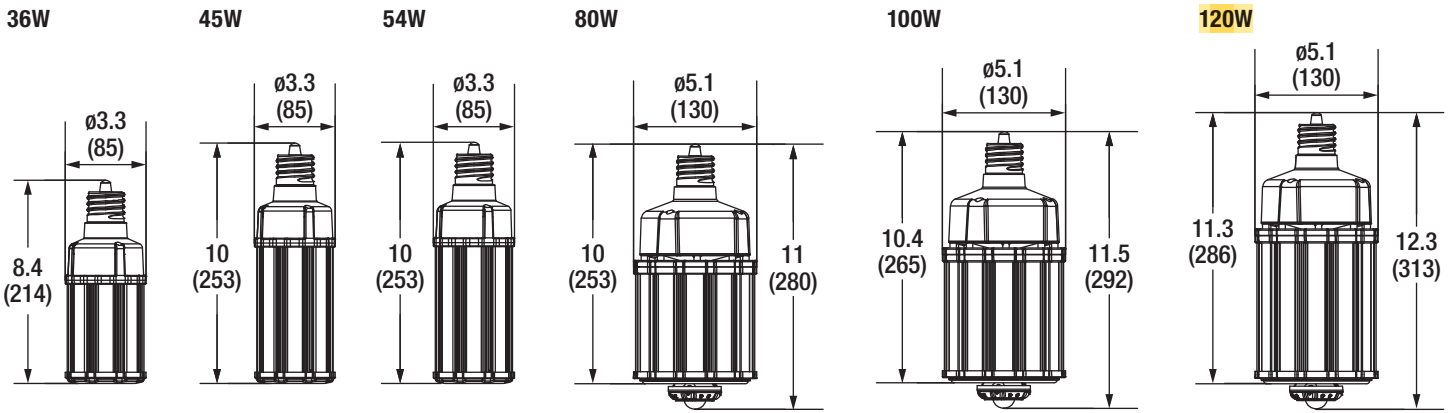
\*See continued table for further information

### Ordering Information (continued)

	Wattage	Total Lumens			LPW		
		3000K	4000K	5000K	LPW at 3000K	LPW at 4000K	LPW at 5000K
120W Selectable	120	16,450	17,500	17,500	137	146	146
	100	13,860	14,850	14,850	139	149	149
	80	11,470	12,370	12,370	143	155	155
100W Selectable	100	13,750	14,800	14,800	138	148	148
	80	11,060	11,940	11,940	138	149	149
	63	8970	9630	9630	142	153	153
80W Selectable	80	10,900	11,690	11,690	136	146	146
	63	8800	9500	9500	140	151	151
	54	7690	8350	8350	142	155	155
63W Selectable	63	8800	9300	9300	140	148	148
	54	7580	8120	8120	140	150	150
	45	6380	7000	7000	142	156	156
54W Selectable	54	7450	8050	8050	138	149	149
	45	6270	6820	6820	139	152	152
	36	5170	5590	5590	144	155	155
45W Selectable	45	6055	6520	6520	135	145	145
	36	4960	5450	5450	138	151	151
	27	3800	4250	4250	141	157	157
36W Selectable	36	4900	5450	5450	136	151	151
	27	3750	4200	4200	139	156	156
	18	2580	2850	2850	143	158	158

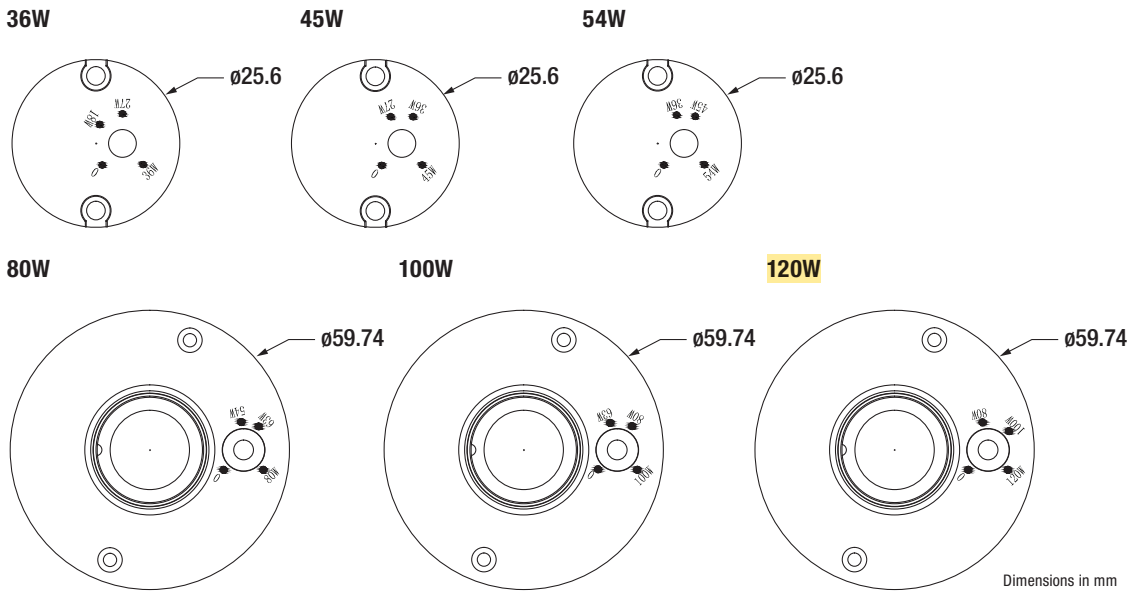
## Physical Information

Lamp Description	Length (in)	Height (in)
36W	3.3	8.4
45W	3.3	10
54W	3.3	10
80W	5.1	10
100W	5.1	10.4
120W	5.1	11.3



Dimensions in inches (mm)

## Lumen Selectable Switch\*



Dimensions in mm

\*Located on the head of the lamp

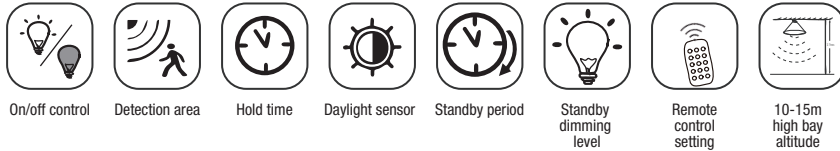
## Accessories

Item Number	Ordering Abbreviation	Description
41146	LED/HIDR/SENSORMICROWAVE/MOT/DAY	Microwave sensor for HIDr products
41145	LED/HIDR/REMOTE	Remote Control for sensor NAED 41146



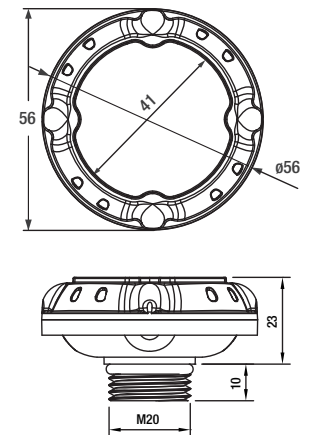
\*included with every 80W, 100W or 120W unit

## Sensor Features

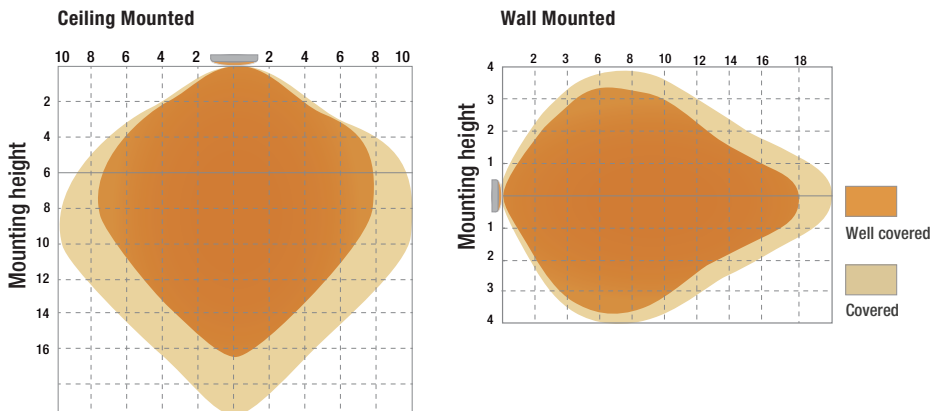


- Microwave motion & daylight sensor operating frequency: 5.8GHz (enables energy savings)
- Dual PD technology: Differentiates between artificial light brightness from natural light. Automatically turns off the light when ambient brightness exceeds present lux level.
- Plug & Play: 3 Pins, 12V, <0.5W standby power
- Detection area: Angle: 30° to 150°, Height: 49.2ft (ceiling mount)
- Superior construction: IP65 Rating
- Brightness: 70%/80%/90%/100%
- Mounting height: Max. 49.2ft (ceiling mounted)
- Detection range: ø49.2ft (ceiling mounted), Max. 65.6ft (wall mounted)
- Operating temperature: -14°F to +140°F (-25°C to +60°C)

## Sensor Dimensions



## Detection Coverage



## Remote Control Features

- Enables changing settings later after initial installation
- Selection from wider options for each of following features:
  - ON/OFF
  - Detection Area
  - Sensitivity
  - Hold Time: The period for which light brightness is at 100% after moving objects leave the detection area
  - Standby Dimming Level: Low light output level in the standby period
  - Standby Period: The period for which light brightness is at low output before it's completely switched off
  - Daylight Threshold

## Additional Specifications

- CEC exempt

LEDVANCE LLC  
200 Ballardvale Street  
Wilmington, MA 01887 USA  
Phone 1-800-LIGHTBULB (1-800-544-4828)  
[www.ledvanceUS.com](http://www.ledvanceUS.com)

SYLVANIA and LEDVANCE are registered trademarks.  
All other trademarks are those of their respective owners.  
Licensee of product trademark SYLVANIA in general lighting.  
Specifications subject to change without notice.

 /sylvania  /sylvania

