



OFF-GRID SOLAR FIXTURE

Flood Light (SFL)

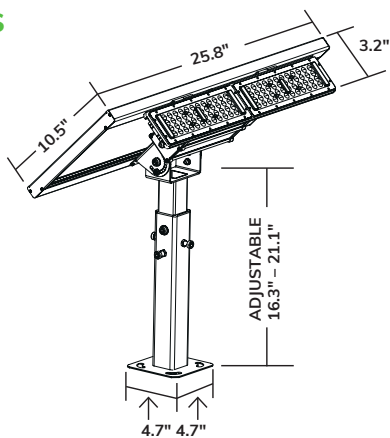
The Solera Solar Lighting Flood Light features an all-in-one design. The solar panel, light engine and battery are built right into the LED fixture. No need for a power source, which eliminates the need for wiring and trenching.

FEATURES

- Comparable to 150W HID
- Standard operating mode: 4 hours of 100% brightness then 25% for the remainder of the night (with one charge)
- Adjustable LED light engine delivers light exactly where you need it
- Battery includes a heat isolating blanket
- Perfect for signage, billboards, walls, pathways and garden features
- Panel dimensions (L x W): 26" x 11". Height adjustable 16" to 21"
- All-in-one design, the solar panel and battery are built right into the LED fixture



DIMENSIONS



SPECIFICATIONS

- **POWERED BY:** Solar
- **WATTAGE:** 20W
- **LUMENS:** 2,000 LM
- **CHARGE TIME:** 8-9 hours
- **BATTERY LIFE:** upto 1500 cycles
- **BATTERY CHARGING TEMP:** 32°F to 113°F
- **OPERATING TEMP:** -4°F to 140°F
- **BEAM ANGLE:** 120°
- **INGRESS PROTECTION:** IP65
- **REPLACEABLE BATTERY:** Yes
- **WIRING OFF-GRID:** No
- **WARRANTY:** 3 years

CERTIFICATIONS



MODEL	UPC	REPLACES	WATTAGE	LUMENS	CCT	WEIGHT
SFL-20W-40K-BK-G2	844006062477	150W HID	20W	2000	4000K	15.4 lbs