

## G2 SOLAR AREA LIGHT



The Solera Solar Lighting Area Light features an all-in-one design. The solar panel, light engine and battery are built right into the LED fixture. No need for a power source, which eliminates the need for wiring and trenching.

**all-in-one  
Design** ↓



- ▶ Perfect for parks, parking lots, school campuses, etc.
- ▶ New MPPT Solar Charge Controller optimizes charging under all conditions.
- ▶ Advanced new LiFePO4 battery lasts at least 2000 charge cycles and will last three nights with one day charge (motion sensing mode)
- ▶ 8W comparable to 70W HID
- ▶ 30W comparable to 250W HID
- ▶ Easily programmable via remote control.
- ▶ Built-in motion sensor and photo control.
- ▶ Built-in status indicator.
- ▶ For line drawings and photometric data, see page 3.



BATTERY CHARGE TIME



BATTERY CHARGE TEMP



BATTERY LIFE



REPLACEABLE BATTERY



TYPE III OPTICS



OPERATING TEMP



100,000hrs RATED LIFE

PART #	UPC	COMPARABLE TO	LUMENS	CCT	EPA	FINISH	DIMENSIONS
RP-SAL-8W-50K-SF-GY-G2	844006080150	70W HID	1600	5000K	1.824	GREY	20 x 12 x 3 in.
RP-SAL-30W-50K-SF-GY-G2	844006080235	250W HID	6000		4.788		36 x 16.75 x 3.75 in.
RP-SAL-8W-50K-SF-DB-G2	844006088545	70W HID	1600		1.824	DARK BRONZE	20 x 12 x 3 in.
RP-SAL-30W-50K-SF-DB-G2	844006088552	250W HID	6000		4.788		36 x 16.75 x 3.75 in.

OPERATING MODES ● TIMER ● MOTION SENSING







## PART NUMBER BUILDER

RP	SAL			SF		G2
RP	(SOLAR AREA LIGHT)	8W 30W	30K 50K 40K AMB	SF = ADJUSTABLE SLIP FITTER BRACKET	GY (GREY) DB (DARK BRONZE)	(GENERATION 2)

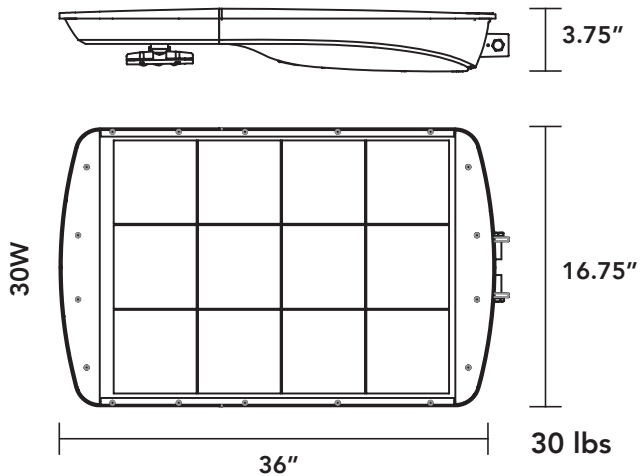
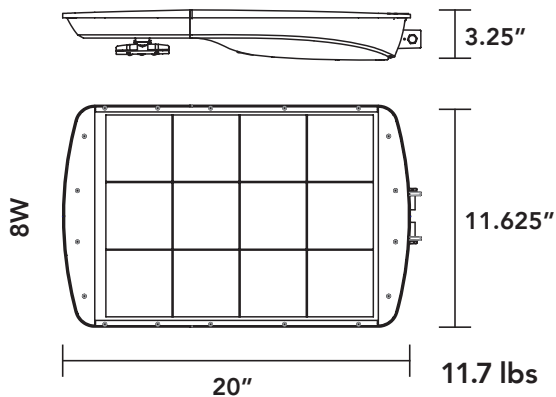
EXAMPLE PART NUMBER RP-SAL-8W-50K-SF-GY-G2

PLEASE NOTE, THE RP-SAL COMES STANDARD WITH THE ADJUSTABLE SLIP-FITTER BRACKET ONLY. SEE ORDERING GUIDE FOR ADDITIONAL BRACKETS AVAILABLE FOR PURCHASE.

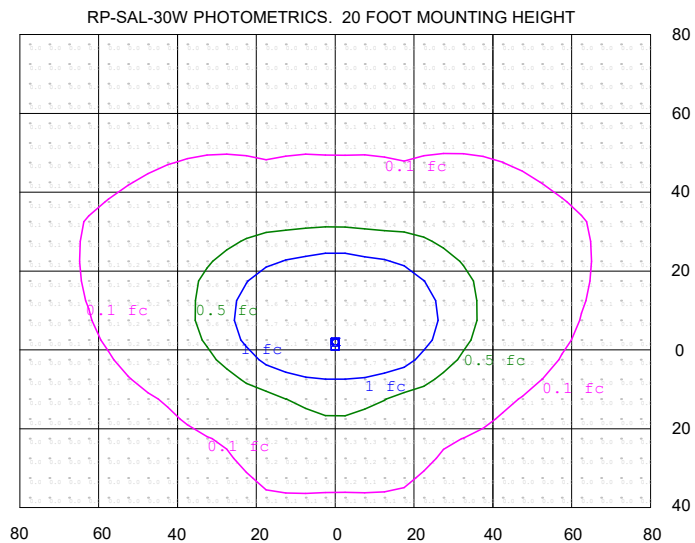
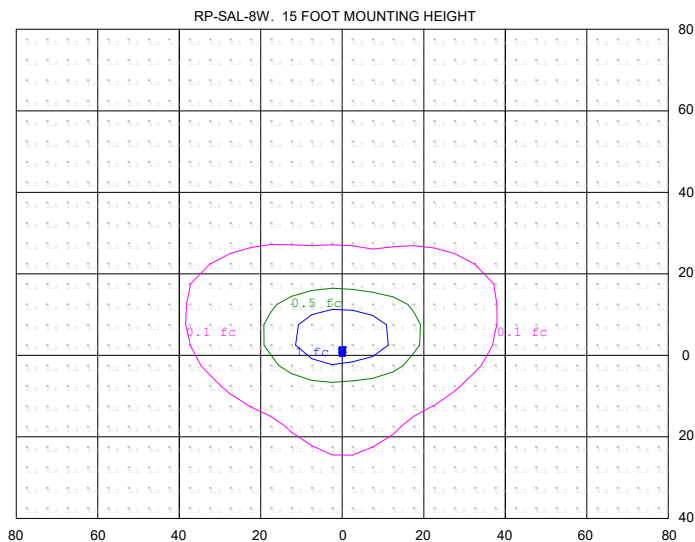
## ORDERING GUIDE - CASE QT = 1

PART #	UPC	QUICK SHIP	LUMENS	WATTAGE	LPW	RECCOMENDED MOUNTING HEIGHT
RP-SAL-8W-30K-SF-GY-G2	844006080266		1600	8	200	15FT
RP-SAL-8W-40K-SF-GY-G2	844006080280		1600	8	200	15FT
RP-SAL-8W-50K-SF-GY-G2	844006080150	✓	1600	8	200	15FT
RP-SAL-30W-30K-SF-GY-G2	844006080327		6000	30	200	20FT
RP-SAL-30W-40K-SF-GY-G2	844006080334		6000	30	200	20FT
RP-SAL-30W-50K-SF-GY-G2	844006080235	✓	6000	30	200	20FT
 RP-SAL-8W-AMB-SF-GY-G2	844006080310		284	AMB	N/A	15FT
 RP-SAL-30W-AMB-SF-GY-G2	844006080358		806	AMB	N/A	20FT
RP-SAL-8W-30K-SF-DB-G2	197810001331		1600	8	200	15FT
RP-SAL-8W-40K-SF-DB-G2	197810001348		1600	8	200	15FT
RP-SAL-8W-50K-SF-DB-G2	844006088545	✓	1600	8	200	15FT
RP-SAL-30W-30K-SF-DB-G2	197810001317		6000	30	200	20FT
RP-SAL-30W-40K-SF-DB-G2	197810001324		6000	30	200	20FT
RP-SAL-30W-50K-SF-DB-G2	844006088552	✓	6000	30	200	20FT
 RP-SAL-8W-AMB-SF-DB-G2	844006088569		284	AMB	N/A	15FT
 RP-SAL-30W-AMB-SF-DB-G2	844006088576		806	AMB	N/A	20FT

LINE DRAWINGS



POTOMETRIC DATA



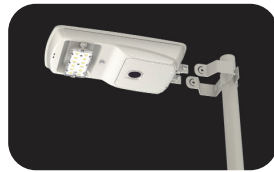
**SOLAR AREA LIGHT ACCESSORIES - CAN BE USED WITH G1 & G2 RP-SAL**

PART #	DESCRIPTION	PART #	DESCRIPTION
RP-SAL-BKT-8W-RP-G1	8W ROUND POLE BRACKET - GREY	RP-SAL-BKT-8W-RP-DB	8W ROUND POLE BRACKET - DARK BRONZE
RP-SAL-BKT-8W-SP-G1	8W SQUARE POLE BRACKET - GREY	RP-SAL-BKT-8W-SP-DB	8W SQUARE POLE BRACKET - DARK BRONZE
RP-SAL-BKT-8W-TN-G1	8W TRUNNION BRACKET - GREY	RP-SAL-BKT-8W-TN-DB	8W TRUNNION BRACKET - DARK BRONZE
RP-SAL-BKT-30W-RP-G1	30W ROUND POLE BRACKET - GREY	RP-SAL-BKT-30W-RP-DB	30W ROUND POLE BRACKET - DARK BRONZE
RP-SAL-BKT-30W-SP-G1	30W SQUARE POLE BRACKET - GREY	RP-SAL-BKT-30W-SP-DB	30W SQUARE POLE BRACKET - DARK BRONZE
RP-SAL-BKT-30W-TN-G1	30W TRUNNION BRACKET - GREY	RP-SAL-BKT-30W-TN-DB	30W TRUNNION BRACKET - DARK BRONZE
RP-SAL-REMOTE-G1*	REMOTE CONTROL		
RP-SAL-BIRDBGUARD	DETERS BIRDS FROM PERCHING ON FIXTURE		
RP-SAL-BATTERY-8W-G1	REPLACEMENT BATTERY FOR 8W		
RP-SAL-BATTERY-30W-G1	REPLACEMENT BATTERY FOR 30W		

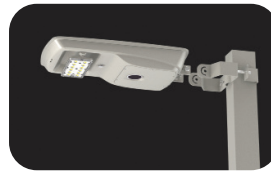
\* INCLUDED STANDARD W/ EACH FIXTURE ORDERED.



ADJUSTABLE SLIP-FITTER BRACKET (SF)  
(included w/quick ship models)



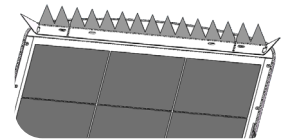
ROUND POLE BRACKET (RP)



SQUARE POLE BRACKET (SP)



TRUNNION BRACKET (TN)



BIRD GUARD

**BRACKET GUIDE**

ITEM	SLIP FITTER MOUNTING	U-TRUNNION MOUNTING	SQUARE-HOOP MOUNTING	ROUND -HOOP MOUNTING
8W SOLAR AREA LIGHT		 Dimensions: 80, 130, 10.5	 Dimensions: 1.66, 0.92 1. ROUND POLE: 1.96" - 3.54" 2. SQUARE POLE: 1.96" - 3.54"	 Dimensions: 1.66 1. ROUND POLE: 1.96" - 4.33"
30W SOLAR AREA LIGHT	 Dimensions: 1.77" - 2.63"	 Dimensions: 85.3, 100, 170 1. WALL MOUNTED 2. SQUARE POLE ABOVE 3.94"  1. WALL MOUNTED 2. SQUARE POLE ABOVE 4.72"	 Dimensions: 210, 102 1. ROUND POLE: 2.36" - 3.94" 2. SQUARE POLE: 1.97" - 3.94"	 Dimensions: 210 1. ROUND POLE: 1.96" - 4.72"

\*NOTE - BRACKETS ARE ADJUSTABLE TO FIT ON POLES WITHIN THE DIMENSIONS SHOWN ABOVE  
EX. FIXED ARM BRACKET CAN FIT ON A POLE BETWEEN 1.77" - 2.36"