



**OPEN  
FIXTURE RATED -  
ONLY 154 WATTS!**



**FEATURES**

- Ballast compatible or ballast bypass
- Superior optical distribution to get same light level, but even more energy savings
- Reduce energy consumption by 50-75%
- Robust design for harshest conditions
- Passive heat sink for dusty, dirty environments
- Long life LED: 50,000 hrs; 5 year warranty
- Low glare design of optics
- 20,000 lumens; 154W; 130 LPW
- **Open** fixture rated
- DLC for rebates

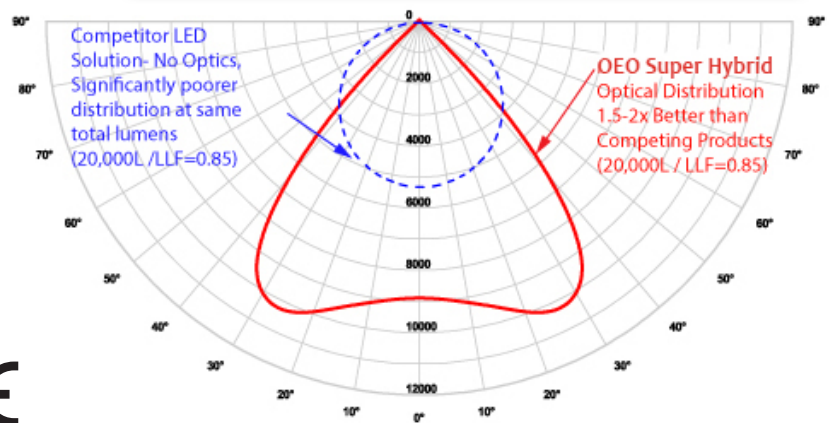
**OVERVIEW**

OEO Super Hybrid-P is passively cooled for harsh conditions. Our special batwing optics are designed to eliminate glare and deliver previously wasted lumens to the target, resulting in 1.6x higher illumination in center and 2x higher at the edges; get better light level at your work area.

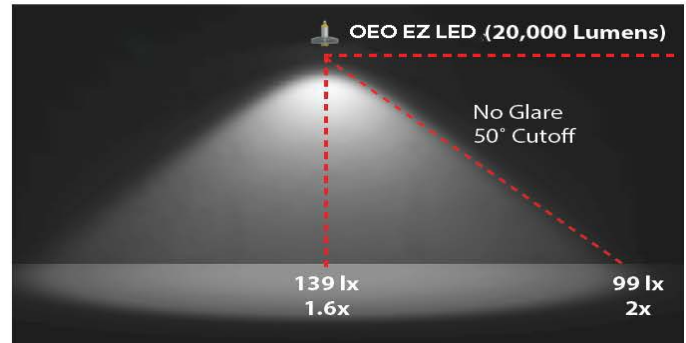
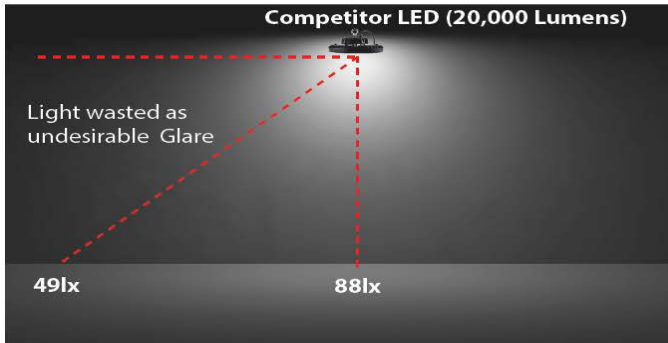
**APPLICATIONS**

- Warehouse and manufacturing
- Machine and welding shops
- Paper and packaging converters

**CERTIFICATIONS**



**DELIVER MORE USABLE LIGHT WITH LESS LUMENS**

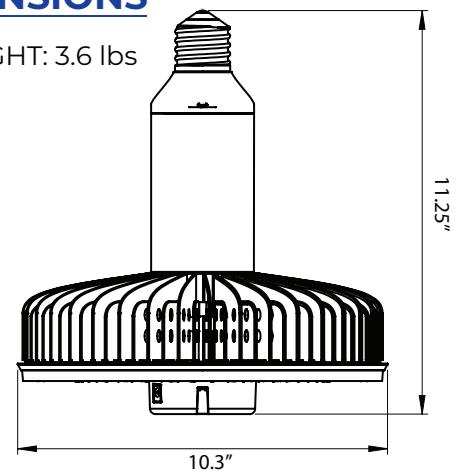


**PRODUCT SPECIFICATIONS**

- **POWERED BY:** 110V to 277V or HID Ballast
- **ENERGY SAVINGS:** 50-75%
- **MOUNTING:** For Use in Vertical, Mogul Base E39, EX39
- **BEAM ANGLE:** 100° Distribution
- **OPERATING TEMP:** -40°F to 122°F
- **CCT:** 5000K Standard, 4000K Optional
- **CRI:** 80
- **START UP:** Instant On/Off, Instant Re-strike
- **FIXTURE TYPE:** Open Only
- **COMPATIBLE:** Dry and Damp Locations

**DIMENSIONS**

WEIGHT: 3.6 lbs



**PART #:** EZ LED H-P-20Klm

**DLC CODE:** PLTJ65EYRPOK

**FOOTCANDLE MEASUREMENTS**

Super Hybrid 20kLm		Fixture Height						
		25ft	30ft	35ft	40ft	45ft	50ft	
Fixture Spacing	20ft	fc	54	53	53	52	52	51
	25ft	fc	35	35	35	34	34	34
	30ft	fc	25	25	25	24	24	24
	35ft	fc	18	18	18	18	18	18

**YOU GET TWO OPERATING OPTIONS WITH ONE LED**

**CHOOSE BALLAST COMPATIBLE MODE**

- Plug-N-Play! Simple HID Direct Replacement
- Requires no re-wiring, no electrician
- Use in MH/HPS Ballasts

**CHOOSE BALLAST BYPASS MODE**

- Line voltage must be between 110V-277V
- Requires simple ballast bypass
- Eliminate ballast maintenance

**ADDITIONAL OPTIONS**

- Optional dimming
- Optional wireless controls
- Optional upright accessory
- Optional occupancy sensors

**NOTES**

- Turn off power when installing lamp
- Do NOT install in line voltage above 277V