



## HIGH BAY LAMP - DIRECT REPLACEMENT FOR 1,000W MH

# OEO EZ LED - Ultra VHO Series

The OEO EZ LED Ultra Series is a very high output lamp designed to directly replace 750W to 1000W metal halide lamps. It's compatible with the traditional HID fixtures and emit more light output without rewiring the fixture. Simply remove your metal halide bulb and replace it with the OEO EZ LED for longer life, while using a fraction of the power.

### FEATURES

- VHO - very high output, direct replacement for 750-1,000 watt metal halide bulbs
- Simply screw in EZ LED to existing open high bay fixtures; ballast compatible, no re-wiring required
- Passive heat sink designed for dusty, dirty conditions
- Improved optics deliver more light to the work area
- Quickest way to upgrade to LED technology
- Reduces energy consumption by 73%
- Long life LED 50,000 hours, L70
- 5 Year warranty
- Fast ROI payback
- No mercury or hazardous materials

### APPLICATION

- Large manufacturing
- Machine & welding shops
- Airplane hangars
- Paper converters
- Warehouse & storage

### CERTIFICATIONS



### SPECIFICATIONS

- **EFFICACY:** 145 LPW
- **POWERED BY:** Metal Halide Ballast
- **ENERGY SAVINGS:** 70%
- **CCT & CRI:** 5000K; 70+ CRI
- **MOUNTING:** Vertical, E39 and EX39
- **BEAM ANGLE:** 95° Distribution
- **OPERATING TEMP:** -4°F to 122°F
- **RELATIVE HUMIDITY:** 15-85% non-condensing
- **START UP:** Instant On/Off, Instant Re-strike
- **WARRANTY:** 5 years

### NOTES

- Open Fixtures Only
- Compatible with Occupancy Sensors
- Magnetic Ballasts Only
- Will NOT Function in Bypassed Ballasts, HPS Ballasts, Electronic Ballasts

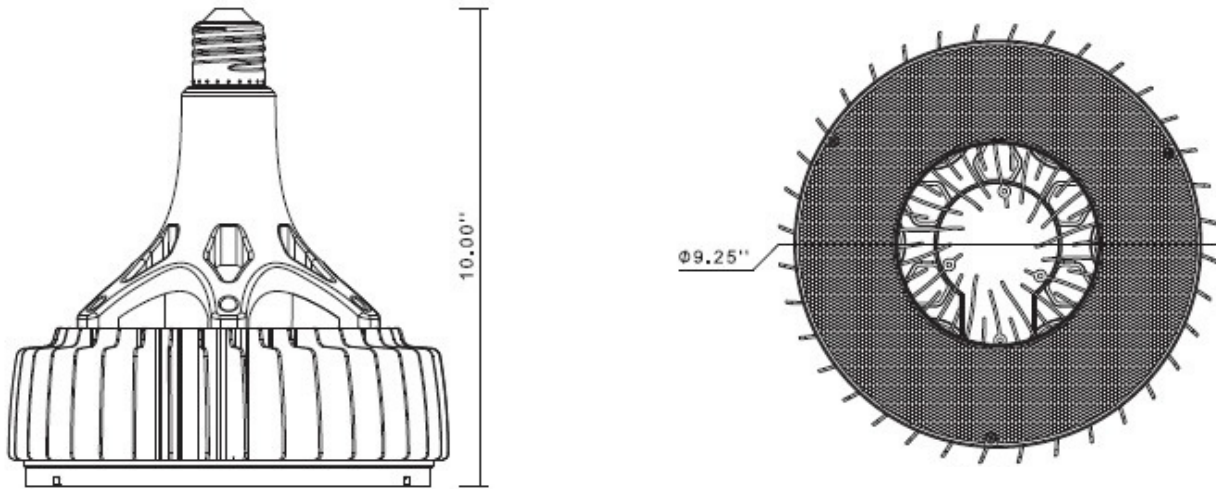
# HIGH BAY LAMP - DIRECT REPLACEMENT FOR 1,000W METAL HALIDE OEO EZ LED 1K ULTRA-P



BEFORE

AFTER

## DIMENSIONS



MODEL: EZ-LED-1K-VHO-P WEIGHT: 3.7 LBS

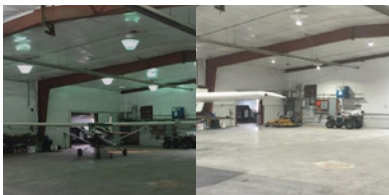
## PRODUCT SPECIFICATIONS

EZ-LED-1K-VHO-P

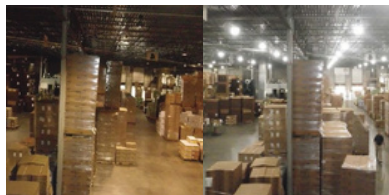
| Installed Ballast | Wattage | Lumens    |
|-------------------|---------|-----------|
| 1000W             | 250W    | 37,000 LM |
| 750W              | 190W    | 27,700 LM |



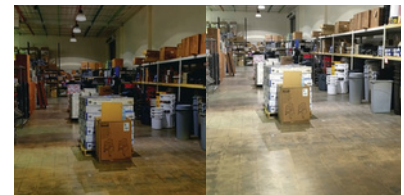
HIGH BAY  
LIGHTING



AIRCRAFT  
HANGARS



STORAGE  
FACILITIES



WAREHOUSES