



DIRECT REPLACEMENT

OEO EZ LED - BC-P

The OEO EZ LED BC-P is designed to directly replace 250W/400W metal-halide lamps and is compatible with the traditional HID ballasts. This lamp emits more light and does not require rewiring existing fixtures. Simply remove the MH bulb and replace it with the OEO EZ LED for longer life while using a fraction of the power. PIR occupancy sensors are available, saving an additional 70% on energy.

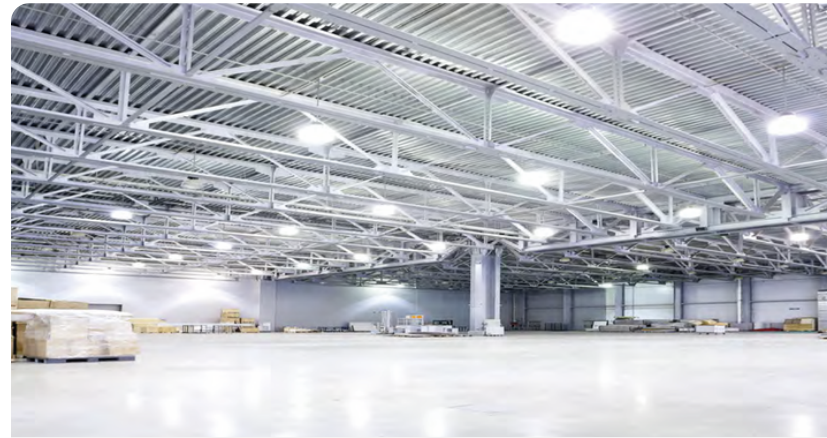
FEATURES

- The only plug & play LED with an optional built-in motion sensor. No re-wiring!
- Aluminum passive heat sink designed for dusty, dirty conditions.
- Better light output than a 400W metal halide and better lumen maintenance.
- High efficiency output up to 141 lm/w
- 70%+ energy savings.
- 5 year limited warranty.
- Rebate eligible.
- 50,000 hours.
- Fast ROI payback.
- PIR occupancy sensor saves extra 70%
- With sensor, LED dims to 30% power after 10 minutes of no activity.

APPLICATIONS

- Warehouse
- Manufacturing
- Cold Storage Facilities
- Machine and Welding Shops

CERTIFICATIONS



SPECIFICATIONS

- **EFFICACY:** Up to 141 lumens per watt
- **WATTAGE:** 120 watts
- **LUMENS:** 18,000 LM
- **POWERED BY:** Metal Halide Ballast
- **DIMMING:** Non-dimmable
- **FIXTURES:** Open only / no lens covers
- **BASE:** E39/EX39
- **CCT:** 5,000K
- **CRI:** 70
- **BEAM ANGLE:** 110°
- **MATERIALS:** Aluminum and plastic
- **OPERATING TEMP:** -3°F to 104°F



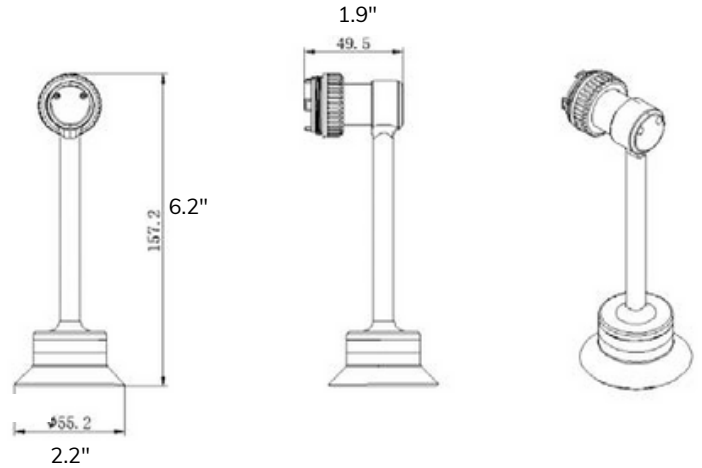
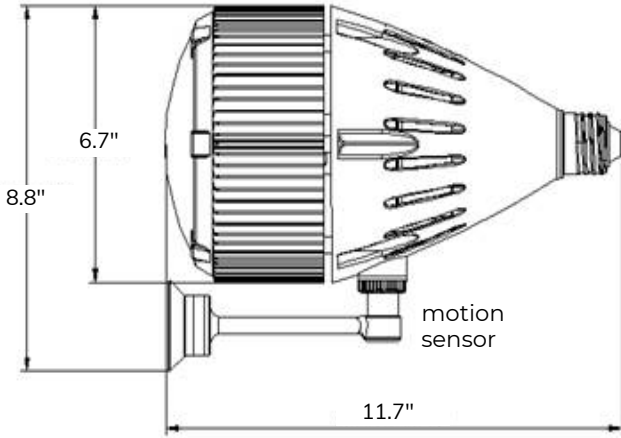
BEFORE

AFTER

DIRECT REPLACEMENT OEO EZ LED BC-P

DIMENSIONS

| ITEMS/PART NO. | DIAMETER | HEIGHT |
|------------------|----------|---------|
| OEO EZ LED | 6.7 in | 11.7 in |
| Occupancy Sensor | 2.1 in | 6.19 in |



MOTION SENSOR

- Power **MUST BE OFF** before installing sensor
- Sensor needs 20 seconds Start Up for self-test
- After self-test and **NO** motion, the light dims to 30% output
- When motion is detected, light is 100%
- Light dims to 30% after 10 minutes of **NO** motion

| | | | |
|---------------------------------|------------|--------------|----------------|
| Mounted Height | 3FT/4M | 23FT/7M | 33FT/ 10M(MAX) |
| Sensing Range (Diameter) | 28 FT/8.4M | 34.7FT/10.4M | 37.3FT/ 11.2M |

ORDERING

ex. OEO-EZLED-BC-18K-P

OPTIONAL MOTION SENSOR (ex. OEO-EZLED-MS)

| BRAND | MODEL | POWER SUPPLY | LUMENS | FAN |
|-------|---------------------------------------------------------|------------------------------------|-------------------------|----------------------------------|
| OEO | EZLED High Bay Metal Halide Replacement | BC Ballast Compatible | 18K 18,000 lm | P Passive Heat Sink |

| BRAND | MODEL | MOTION SENSOR |
|-------|------------------------------------------------------|----------------------------|
| OEO | EZLED High Bay Metal Halide Replacement | MS Motion Sensor |

NOTES

The following instructions must be complied with to avoid risk of personal injury, property damage and poor lamp performance.
 FOR USE WITH FUNCTIONAL, 400 WATT M59 OR M155 MAGNETIC BALLASTS. USE ONLY IN PROPERLY RATED BALLASTS. DO NOT USE IN FULLY-ENCLOSED METAL HALIDE FIXTURES. (IF EXISTING FIXTURES HAVE COVERS OR DIFFUSERS ON THE BOTTOM OF THE EXISTING FIXTURE, SIMPLY REMOVE THE COVERS BEFORE USING THE "EZ LED"). DO NOT USE IN SODIUM VAPOR BALLASTS. DO NOT USE IN MERCURY VAPOR BALLASTS. DO NOT USE IN ELECTRONIC BALLASTS. DO NOT USE IN DAMP ENVIRONMENTS. DO NOT USE IN FIXTURES WHERE THE EXISTING FIXTURE BALLAST HAS BEEN BYPASSED. FAILURE TO ADHERE TO INSTRUCTIONS VOIDS WARRANTY. POWER MUST BE SWITCHED OFF BEFORE INSTALLING THE MOTION SENSOR. LEAVING THE POWER ON MAY DAMAGE THE MOTION SENSOR AND VOID WARRANTY.