



## BALLAST BYPASS

# OEO EZ LED - BB-P

The OEO EZ LED BB-P is designed to replace your HID bulbs, and is compatible with traditional HID fixtures. Simply replace your bulbs, wiring direct 110-277V, without disassembling the fixture. Get longer life using a fraction of the power. PIR occupancy sensor is available, saving an extra 70% on energy.

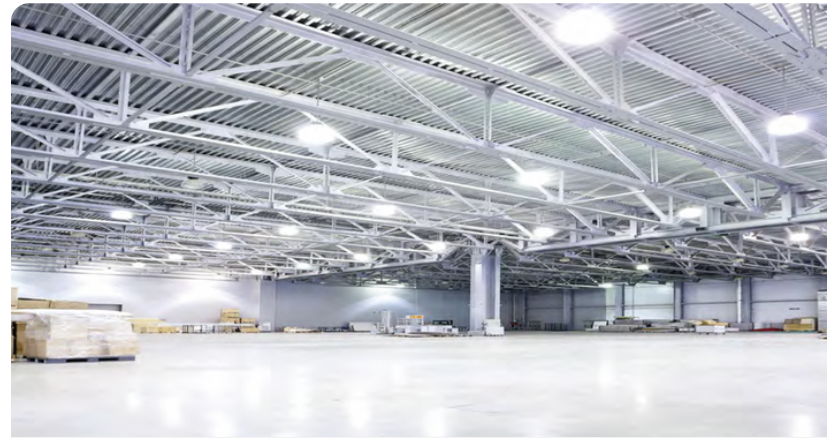
## FEATURES

- Simply bypass ballast to retrofit your current high bay open fixtures; 110-277V direct
- Aluminum passive heat sink designed for dusty, dirty conditions
- Better light output than 400W HID and better lumen maintenance
- High efficiency output up to 141 lm/w
- 70%+ energy savings
- 50,000 hours
- 5 year warranty
- DLC rebate eligible
- Fast ROI payback
- Optional built in PIR occupancy sensor saves extra 70%
- With sensor, LED dims to 30% power after 10 minutes of no activity

## APPLICATIONS

- Warehouse and Manufacturing
- Facilities Cold Storage Facilities
- Machine and Welding Shops

## CERTIFICATIONS



## SPECIFICATIONS

- **EFFICACY:** Up to 141 LM/W
- **WATTAGE:** 105W
- **LUMENS:** 15,000LM
- **POWERED BY:** 110-277V
- **DIMMING:** Non-dimmable
- **FIXTURES:** Open only - no lens covers
- **BASE:** E39/EX39 mogul base
- **CCT:** 5,000K
- **CRI:** 70
- **BEAM ANGLE:** 110°
- **MATERIALS:** Aluminum and plastic
- **OPERATING TEMP:** -3°F to 104°F



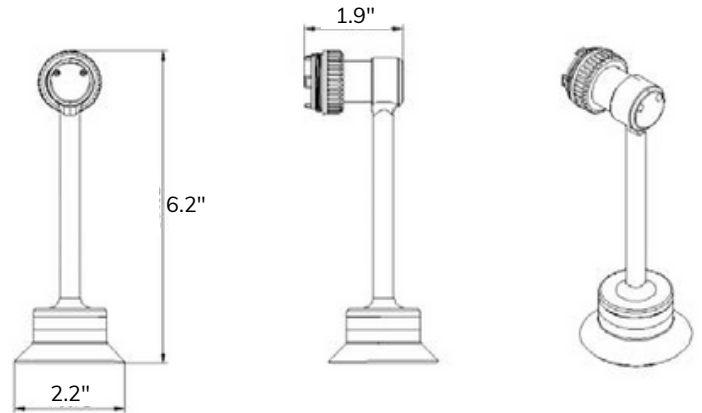
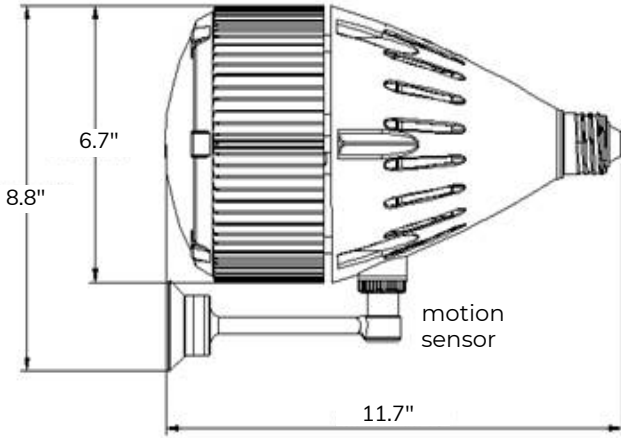
BEFORE

AFTER

# BALLAST BYPASS OEO EZ LED BB-P

## DIMENSIONS

ITEMS/PART NO.	DIAMETER	HEIGHT
OEO EZ LED	6.7 in	11.7 in
Occupancy Sensor	2.1 in	6.19 in



## MOTION SENSOR

- Power **MUST BE OFF** before installing sensor
- Sensor needs 20 seconds Start Up for self-test
- After self-test and **NO** motion, the light dims to 30% output
- When motion is detected, light is 100%
- Light dims to 30% after 10 minutes of **NO** motion

<b>Mounted Height</b>	3FT/4M	23FT/7M	33FT/ 10M(MAX)
<b>Sensing Range (Diameter)</b>	28 FT/8.4M	34.7FT/10.4M	37.3FT/ 11.2M

## ORDERING

ex. OEO-EZLED-BB-15K-P

**OPTIONAL MOTION SENSOR** (ex. OEO-EZLED-MS)

BRAND	MODEL	POWER SUPPLY	LUMENS	FAN
OEO	<b>EZLED</b> Metal Halide or High Pressure Sodium Replacement	<b>BB</b> Ballast Bypass 110-277V	<b>15K</b> 15,000 lm	<b>P</b> Passive Heat Sink

BRAND	MODEL	MOTION SENSOR
OEO	<b>EZLED</b>	<b>MS</b> Motion Sensor

## NOTES

**The following instructions must be complied with to avoid risk of personal injury, property damage and poor lamp performance.**

FOR USE WITH FUNCTIONAL, 400 WATT M59 OR M155 MAGNETIC BALLASTS. USE ONLY IN PROPERLY RATED BALLASTS. DO NOT USE IN FULLY-ENCLOSED METAL HALIDE FIXTURES. (IF EXISTING FIXTURES HAVE COVERS OR DIFFUSERS ON THE BOTTOM OF THE EXISTING FIXTURE, SIMPLY REMOVE THE COVERS BEFORE USING THE "EZ LED"). DO NOT USE IN SODIUM VAPOR BALLASTS. DO NOT USE IN MERCURY VAPOR BALLASTS. DO NOT USE IN ELECTRONIC BALLASTS. DO NOT USE IN DAMP ENVIRONMENTS. DO NOT USE IN FIXTURES WHERE THE EXISTING FIXTURE BALLAST HAS BEEN BYPASSED. FAILURE TO ADHERE TO INSTRUCTIONS VOIDS WARRANTY. POWER MUST BE SWITCHED OFF BEFORE INSTALLING THE MOTION SENSOR. LEAVING THE POWER ON MAY DAMAGE THE MOTION SENSOR AND VOID WARRANTY.