



FEATURES

- Low cost, time-saving alternative to a complete fixture replacement.
- Available in 1x4, 2x2, and 2x4 configurations.
- Single person installation in under 5 minutes vs. full fixture replacement
- Selectable color temperature & wattage controls
- Center basket design with soft & uniform light beam pattern
- Constructed with a durable steel housing body
- Long LED life designed over 100,000 hours. L87 rating - 87% lumen maintenance at 54,000 hours. L70 @ 133,000 hours.
- Energy savings of 50-60%
- Reduced profile with classic look
- Perfect blend of design, performance, and reliability
- UL listed for damp locations
- DLC 5.1, rebate eligible

APPLICATIONS

- Office Lighting
- Schools & Universities
- Retail Spaces
- Healthcare Facilities

CERTIFICATIONS



RoHS

LED FIXTURE RETROFIT

LED Troffer Retrofit Luminaire

These LED recessed troffer retrofit kits simplify the conversion from existing fluorescent 2x2 and 2x4 fixtures into energy efficient, long life LED fixtures. The innovative design facilitates easy installation, thus avoiding the dirt, debris and heat of above plenum retrofits. Fully dimmable with standard 0-10V dimming systems, a durable optic diffuser generates glare free illumination. These high-efficacy LEDs at 125 lumens per watt are long lasting, rated for over 50,000 hours. This retrofit series troffer is the "go-to" conversion system to make your fluorescent upgrade to LED fast and simple.

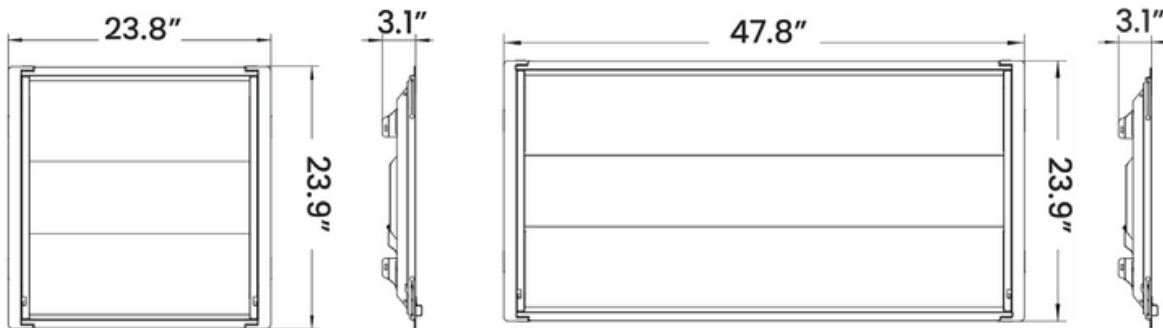


SPECIFICATIONS

- **PROFILE:** 1'x4', 2'x2' and 2'x4' standard sizes
- **POWERED BY:** 120-277V
- **CCT:** Adjustable | 3500K, 4000K or 5000K
- **WATTAGE:** Selectable
- **LUMENS:** Adjustable
- **CRI:** 80+
- **EFFICACY:** 125 lumens per watt
- **OPERATING TEMP:** -4°F to 104°F
- **RATING:** 133,000 hours (L70)
- **REPLACES:** 2 to 4 lamp fluorescent T8 or T12 fixtures
- **CASE QUANTITY:** 2 fixtures
- **WARRANTY:** 5 years | 50,000 hours
- **SENSORS:** Optional field installed motion and daylight harvesting sensors available
- **BRAND:** Energetic Lighting

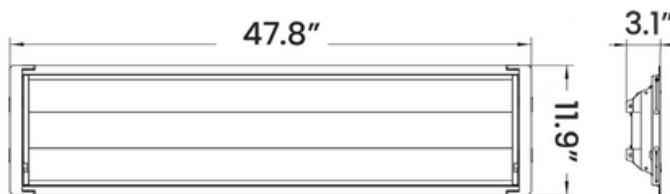
LED FIXTURE OEO LED Troffer Retrofit Kit

DIMENSIONS



2x2 Models

2x4 Models



1x4 Models

PRODUCT SPECIFICATIONS

Model	Item Number	Wattage	Lumens	LPW	Color Temperature	Voltage
RTA1NP38E83550-DS 1'x4' Troffer	60082	20W 25W 30W selectable	2500 3125 3750 LM selectable	125	3500K 4000K 5000K adjustable	120-277V
RTA2NP38E83550-DS 2'x2' Troffer	60080	20W 25W 30W selectable	2500 3125 3750 LM selectable	125	3500K 4000K 5000K adjustable	120-277V
RTA4NP38E83550-DS 2'x4' Troffer	60081	34W 38W 45W selectable	4250 4750 5600 LM selectable	125	3500K 4000K 5000K adjustable	120-277V

