



SP09

Our SP09 LED sports light series offers a comprehensive lighting solution for stadiums and outdoor field lighting. Anti-Glare grille and visors are available to ensure high-quality lighting. Optoelectrical separation solution to save material costs and avoid the interference of heat to the driver, to ensure efficient operation. Humanized structure design for convenient installation, enhancing safety in high-altitude operations, and saving labor costs.



SPORTS FIELD LIGHTING



1000W/1200W/1300W



600W/680W/800W

Experience Brilliant Illumination with New Stadium Lights

- 1 High-quality lighting effect, controlling glare while ensuring a total light flux of up to 150,000lm.
- 2 Optional anti-glare grille to reduce glare and control light uniformity.
- 3 Large light-emitting area, saving materials, and improving light utilization.
- 4 Equipped with a visor to prevent glare and light spill, say goodbye to light pollution.

Optical accessories for Choose



Optional visor



Optional anti-glare grille.



Flat heat sink, ensuring sufficient heat dissipation area and air circulation space.



- 1 Opto-electrical separation design to reduce material costs.
- 2 Separation of power supply and heat sink, extending the overall lamp life.

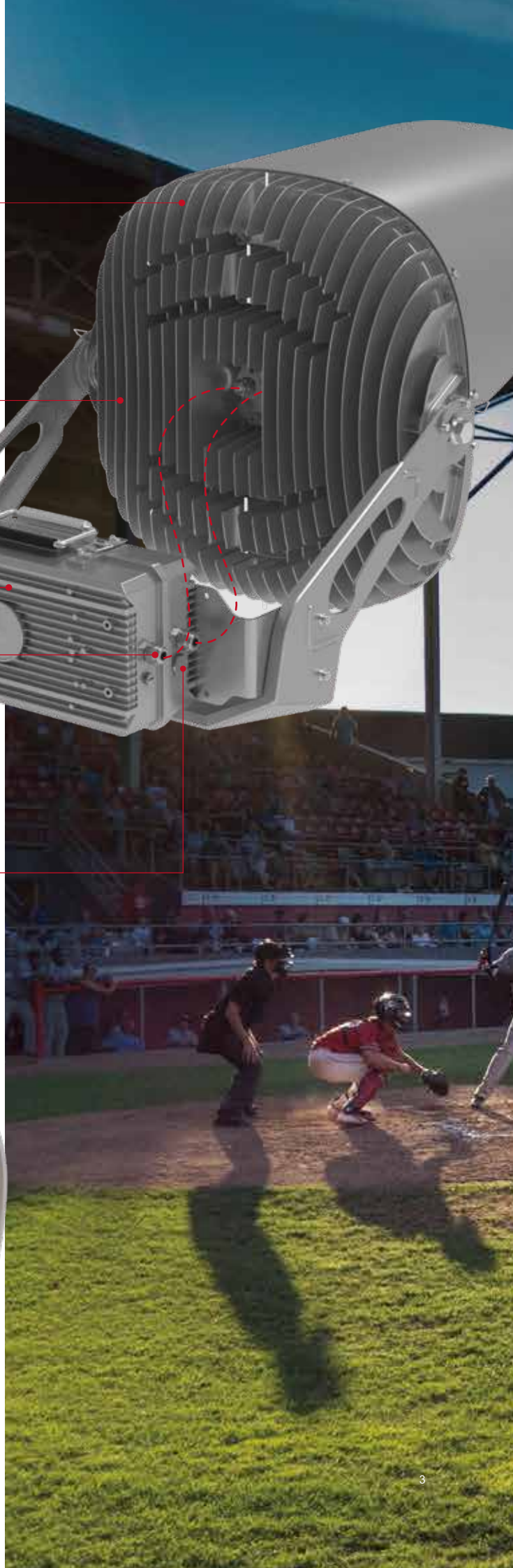
In-distribution box power supply installation

Independent or in-distribution box power supply installation, suitable for replacing HID products, easy installation, and maintenance.

Quick plug-and-play wiring for easy installation and maintenance.

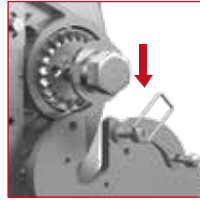
Dimmer Connector

Reserved intelligent module installation position, compatible with various remote smart control solutions such as 0-10V Dimming, PWM, Dali, DMX, Synapse, etc.





User-friendly structural design, enhancing safety in high-altitude operations and saving labor costs.



Snap-on installation structure, enabling single-person installation.



Incremental 2.5deg tick marks to allow for precise aiming and to facilitate the alignment of luminaires.

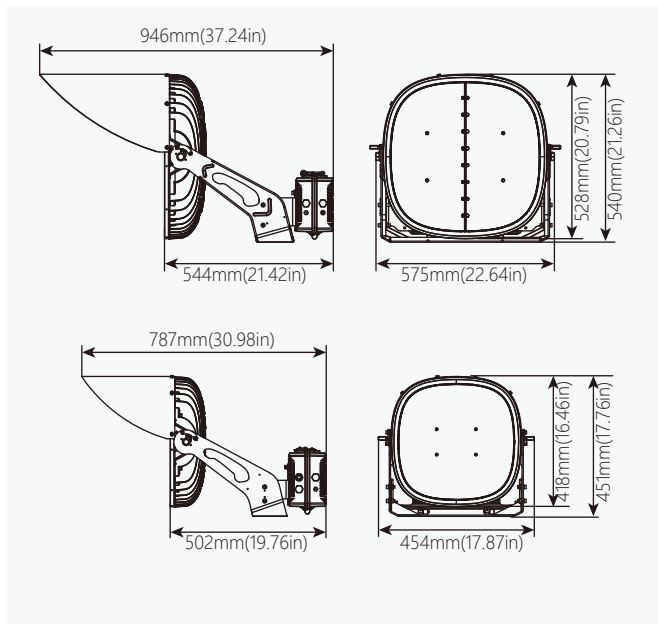




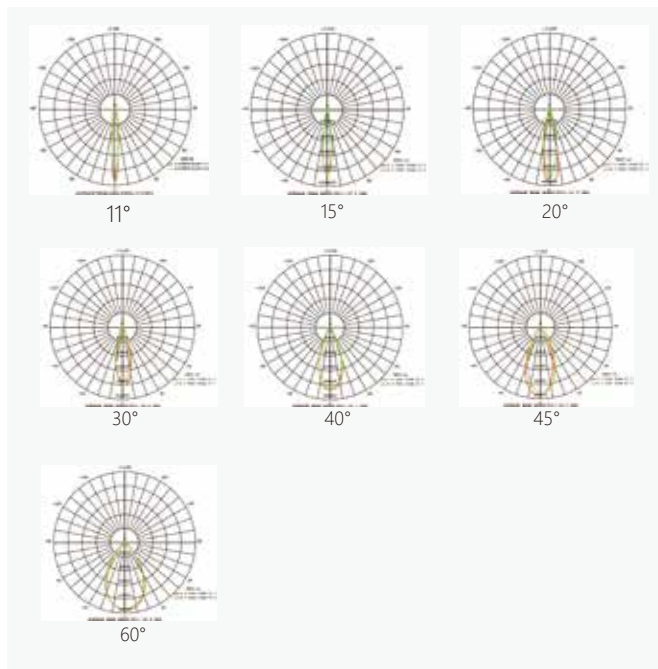
Parameters

Model No.	OEO-SP09-1000W/1200W/1300W	OEO-SP09-600W/680W/800W
Wattage	1000W/1200W/1300W	600W/680W/800W
Light Efficiency	145Lm/W~150Lm/W	150Lm/W~160Lm/W
Lumen Flux(@5700K)	145,000Lm~195,000Lm(±10%)	90,000Lm~120,000Lm(±10%)
CCT	3000K/4000K/5000K/5700K, RGB/RGBW Optional	
Beam Angle (±5°)	11°/15°(Samsung), 20°/40°/60°(Lumileds)	15°(Samsung), 20°/40°/60°(Lumileds)
CRI	70, (80, 90, TLCI>90 Optional)	
SDCM	≤5	
Input Voltage	AC 200-480V	
Power Factor	≥0.95	
THD	≤15%	
Percent flicker(%)	<3%	
Surge Protection	10KV	
Protection against electric	Class I	
IP (Environmental location of luminaries)	IP66 Wet location	
IK	IK08	
EPA	Front: 2.9ft ² , Side: 1.02ft ²	Front: 1.93ft ² , Side: 0.8ft ²
Operating Temp Ranger	-40 C ~ +50 C @ outdoor -40 F ~ +122 F @ outdoor	
Intelligent control	0-10V Dimming, PWM, Dali, DMX, Synapse	
Lifetime	100,000H(L70B50@25 C) 100,000H(L70B50@77 F)	
Weight (kg/lbs)	Without Driver: 22.7kg±0.5 / 50.04lbs±1.1 Without Driver and Visor: 22kg±0.5 / 48.50lbs±1.1 Driver Component: (7.5kg~10kg)±0.5 / (16.54~22.05lbs)±1.1	Without Driver: 13.7kg±0.5 / 30.20lbs±1.1 Without Driver and Visor: 13kg±0.5 / 28.66lbs±1.1 Driver Component: 6kg±0.5 / 14.55lbs±1.1
Dimension(mm/in)	544*575*540mm 21.42*22.64*21.26in	502*454*451mm 19.76*17.87*17.76in
Packing Dimension(mm/in)	780*630*355mm 30.71*24.80*13.98in	755*535*320mm 29.72*21.06*12.60in
Warranty	7 year, Isolated(5 year, Non-isolated)	
Certificate	UL / DLC / FCC	
Specification	LED: Samsung, Lumileds Driver: Sosen, Inventronics, Powerland	
Material	Structure: Die-casting/High Thermal Conductivity AL Finish: Powder coated Lens: Polycarbonate Color: Gray	

Dimension



Photometric Diagrams



Applications

Outdoor / Indoor / Industrial

- Sports & recreational fields
- Large-scale outdoor events
- Industrial and construction sites
- Parking lots and garages
- Crane lighting
- Security and outdoor surveillance



Sports Complex



Football Pitch



Baseball Field



Parking Lot



Industrial & construction sites



Airport



Port Lighting