

WALL PACK (WP10)



DESCRIPTION

Slim wall pack is available in two watts for a variety of applications including building perimeter, entrances, stairways and security lighting. WP10 series of luminaries provides a low-profile architectural style with the power of bright, energy efficient LEDs. It has a rugged aluminum construction with multi-mount capabilities. 0° to +90° tilt adjustments. For a building that has a modern or futuristic look.



Small size: 27W/40W

Medium size: 67W/80W

SPECIFICATION FEATURES

Construction

- Rugged cast-aluminum housing with bronze polyester powder paint for outdoor applications.
- The LED module and power bin separation design with excellent thermal management that both enhances LED efficiency and extends component life.

Optics

- Single CCT 3000K, 4000K and 5000K are available for standard version, and the 40W, 80W offer the color tunable version, the CCT can be changed to 3000K/4000K/5000K.
- Scalable Lumen Packages from 3,500 to 11,200 Lumens.
- Tempered UV coated flat lens provide outstanding performance, uniformity and glare control.

Electrical

- Standard drivers feature electronic universal voltage (120-277 50/60Hz) operation.
- Optional 0-10V dimming and dimming range from 10%-100%.
- Greater than 0.9 power factor, less than 20% harmonic distortion, and is suitable for operation in -40°C to 40°C ambient environments.

Certifications

- UL cUL wet location listed.
- DesignLights Consortium™ Qualified.
Note: DesignLights Consortium™ Qualified and classified for DLC Premium (all lumen packages), refer to www.designlights.org for details.

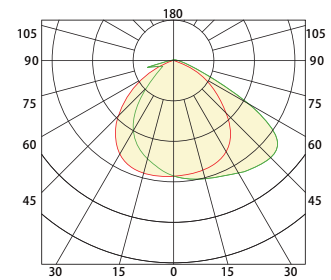
Lifespan

- Estimated 50,000-hour LED lifespan based on IES LM-80 results and TM-21 calculations.

Warranty

- Five-year limited warranty.

PHOTOMETRICS



ACCESSORIES

Photocell

No. MS-PUNVC01

USE: Photocell is field installed or pre-installed in factory by requesting



CCT and Wattage controller

Description:

Allowing the contractor to set the lumen value and CCT of the fixture at the installation site.



CCT AND WATTAGE CONTROLLER

This fixture has the function of adjusting the lumens output and color temperature on-site.



Wattage selectable: 100%, 80%, 60%, 40%
CCT selectable: 3000K, 4000K, 5000K



PERFORMANCE DATA(@ Single CCT)

SYSTEM WATTS	VOLTAGE	CRI	LUMENS (3000K)	LPW (3000K)	LUMENS (3500K)	LPW (3500K)	LUMENS (4000K)	LPW (4000K)	LUMENS (5000K)	LPW (5000K)
27W	120-277VAC	70	3500lm	130 lm/W	3500lm	130 lm/W	3600lm	133 lm/W	3600lm	133 lm/W
40W	120-277VAC	70	5100lm	128 lm/W	5100lm	128 lm/W	5300lm	133 lm/W	5300lm	133 lm/W
67W	120-277VAC	70	9300lm	139 lm/W	9300lm	139 lm/W	9600lm	143 lm/W	9600lm	143 lm/W
80W	120-277VAC	70	10700lm	134 lm/W	10700lm	134 lm/W	11200lm	140 lm/W	11200lm	140 lm/W

CCT AND WATTAGE ADJUSTABLE

WP10 40W										
SWITCH SETTING	SYSTEM WATTS	CRI	3000K		4000K		5000K		LUMENS	LPW
			LUMENS	LPW	LUMENS	LPW	LUMENS	LPW		
100%	40W	70	5300lm	133 lm/W	5600lm	141 lm/W	5500lm	138 lm/W		
80%	32W	70	4300lm	136 lm/W	4600lm	144 lm/W	4500lm	141 lm/W		
60%	24W	70	3300lm	139 lm/W	3500lm	147 lm/W	3400lm	144 lm/W		
40%	16W	70	2300lm	142 lm/W	2400lm	150 lm/W	2300lm	147 lm/W		

WP10 80W										
SWITCH SETTING	SYSTEM WATTS	CRI	3000K		4000K		5000K		LUMENS	LPW
			LUMENS	LPW	LUMENS	LPW	LUMENS	LPW		
100%	80W	70	10700lm	134 lm/W	11400lm	142 lm/W	11100lm	139 lm/W		
80%	64W	70	8800lm	137 lm/W	9300lm	145 lm/W	9100lm	142 lm/W		
60%	48W	70	6700lm	140 lm/W	7100lm	148 lm/W	7000lm	145 lm/W		
40%	32W	70	4600lm	143 lm/W	4800lm	151 lm/W	4700lm	148 lm/W		

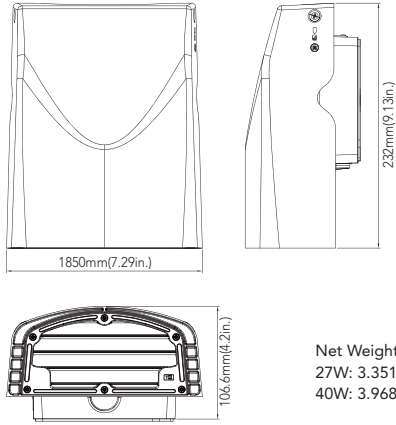
ELECTRICAL DATA

Number Of Drivers	Driver Current (mA)	Nominal Power (W)	INPUT VOLTAGE (V)	CURRENT (Amps)
1	430	27	120	0.23
		27	208	0.13
		27	240	0.11
		27	277	0.10
1	640	40	120	0.33
		40	208	0.19
		40	240	0.17
		40	277	0.14
1	1110	67	120	0.56
		67	208	0.32
		67	240	0.28
		67	277	0.24
1	2120	80	120	0.67
		80	208	0.38
		80	240	0.33
		80	277	0.29

DIMENSIONS

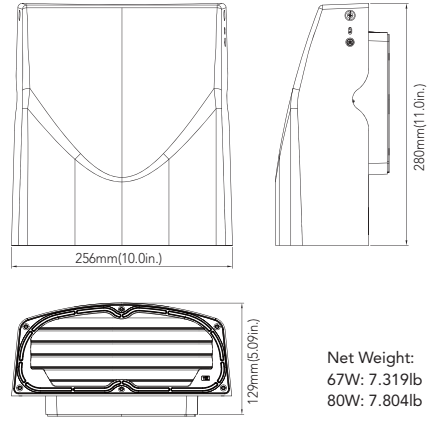
unit: mm/inch

Small size: 27W / 40W



Net Weight:
27W: 3.351lb
40W: 3.968lb

Medium size: 67W / 80W



Net Weight:
67W: 7.319lb
80W: 7.804lb

ORDERING GUIDE

Example: WP10 40W 27V 50K Y Y Y Y Y

Fixture Type	Wattage	Voltage	CCT	Finish	Photocell (Option)	CCT and Power Adjustable	Dimmable	Internal Code
<input type="checkbox"/>	<input type="checkbox"/>	<input type="checkbox"/>	<input type="checkbox"/>	<input type="checkbox"/>	<input type="checkbox"/>	<input type="checkbox"/>	<input type="checkbox"/>	<input type="checkbox"/>
WP10 Wall Pack Series	27 27W 40 40W 67 67W 80 80W	27V 120-277V	30K 3000K 40K 4000K 50K 5000K DDK¹ CCT Adjustable Color Temperature	D Dark Bronze B Black W White	P0 With Photocell Blank Without Photocell	AD¹ With Adjustment Dial Blank Without Adjustment Dial	D 0-10 Dimmable Blank NO Dimmable	Blank Alphanumeric

Note: 1. Only the 40W & 80W optional for DDK and AD.