



FEATURES

- Energy efficient at 125+ LPW provides 40-60% in energy savings vs. fluorescent
- Fixed color temperature: 4000K or 5000K
- Wattage and lumen packages: 36W | 4500LM or 40W | 5000LM
- Compact, narrow, and ultra light weight makes for an easy overhead installation
- Simple installation mounting into standard t-grid suspended ceiling systems
- Acrylic over-optics with polymer diffusing lens creates an extremely uniform visual aesthetic & provides even illumination on target
- Suitable for dry or damp locations
- Dimmable down to 10% with 0-10v input standard
- Surface mounting kits and cable suspension kits available
- Perfect blend of design, performance, and reliability
- DLC 5.1, rebate eligible

APPLICATIONS

- Commercial & Industrial
- Office, Healthcare, and Educational
- Hospitality
- Grocery & Retail
- Hallways
- Second and Third Shift Workspaces

LED FLAT PANEL FIXTURE

LED 2x4 Flat Panel

The E2BPL series is suitable for use in a broad range of commercial applications. Utilizing today's latest innovative LED technology, it provides customers an affordable LED backlit panel offering with the perfect blend of design, performance, value and reliability. A great choice for renovations replacing existing fluorescent luminaires or for new construction projects that require code compliant energy saving LED solutions. Ideally suited for office spaces, schools, retail, hospitality and healthcare applications.



SPECIFICATIONS

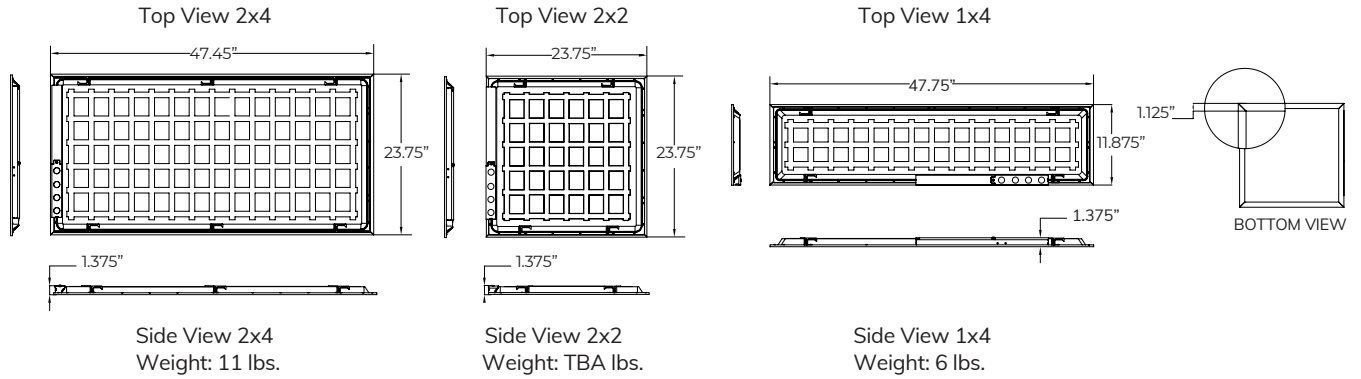
- **POWERED BY:** 120-347V
- **CCT:** 4000K or 5000K
- **WATTAGE:** 36W or 40W
- **LUMENS:** 4500LM or 5000LM
- **CRI:** 84
- **EFFICACY:** 125 lumens per watt
- **OPERATING TEMP:** -13°F to 113°F
- **RATING:** 174,000 hours (L70)
- **REPLACES:** 2 to 4 lamp fluorescent T8 or T12 fixtures
- **CASE QUANTITY:** 2 fixtures
- **WARRANTY:** 10 years
- **BRAND:** Energetic Lighting

CERTIFICATIONS



LED OFFICE FIXTURE LED Backlit Flat Panels

DIMENSIONS

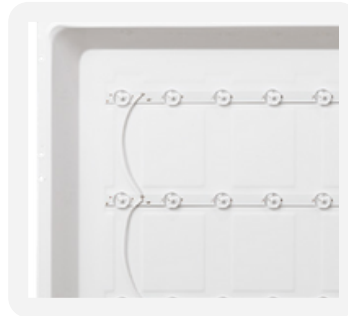


2X4 PRODUCT SPECIFICATIONS

2X4 Model	Item Number	Wattage	Lumens	LPW	Color Temperature	Dimming	Power
E2BPL4-H36D-840	65299	36W	4500 LM	125+	4000K	0-10V	120-347V
E2BPL4-H36D-850	65300	36W	4500 LM	125+	5000K	0-10V	120-347V
E2BPL4-H40D-840	65301	40W	5000 LM	125+	4000K	0-10V	120-347V
E2BPL4-H40D-850	65301	40W	5000LM	125+	5000K	0-10V	120-347V



Field-selectable CCT and wattage control provides flexibility to installation and stocking



LED Technology that increases alertness and reduces fatigue in places with no sunlight.



Extruded aluminum lens frame with visually seamless corners



Integrated fold-out seismic hooks with suspension cable mounting hole