

PARKING LOT LIGHTING

LED Area Light CCT & Wattage Selectable

This rugged LED area light fixture is color selectable and wattage / lumen selectable providing maximum flexibility. Choose both color temperature (options 3000K, 4000K or 5000K) and lumen output (40%, 60%, 80%, or 100%). Constructed as a one-piece low-profile fixture, the housing is completely sealed against moisture and environmental conditions. With an estimated lifespan of 100,000 hours, this long-lasting LED is a great option for your outdoor lighting needs.

FEATURES

- Power adjustable: 100% | 180W, 80% | 144W, 60% | 108W, 40% | 72W
- Color temperature adjustable: 3000K, 4000K, 5000K
- One-piece die-cast aluminum housing, compact low profile, 3G vibration rated
- 120-277v direct line voltage
- Ambient operating temperature: -40° to 113°F
- Suitable for mounting heights from 20' to 50' in area lighting applications
- Easy one person installation
- Estimated 100,000 lifespan
- Mounting hardware available for any application
- Photocell optional
- Occupancy sensor optional
- DLC 5.1, rebate eligible

APPLICATION

- Parking lot
- Wall mount
- Flood lighting
- Sports courts - tennis, pickle ball, paddle
- General outdoor area lighting

CERTIFICATIONS



SPECIFICATIONS

- **POWERED BY:** 120-277v or 347-480v
- **CCT:** Field selectable – 3500K, 4000K, 5000K
- **WATTAGE:** Power Adjustable – 180W @ 100%, 144W @ 80%, 108W @ 60%, 72W @ 40%
- **LUMENS:** Field selectable – 10,800 to 27,000 lumens
- **CRI:** 70
- **OPERATING TEMP:** -40° to 113°F
- **DISTRIBUTION:** Type 4 (standard)
- **EFFICACY:** 140-164 lumens per watt
- **WARRANTY:** 5 years
- **MANUFACTURER INFO:** Mester

PARKING LOT LIGHTING

LED Area Light - CCT & Wattage Selectable

STRUCTURAL DESIGN

Housing
The one-piece die-cast housing with corrosion-resistant coating protection and the modular design extend the life of the luminaire while making it easy to maintain.

Photometry
Optional Type II, Type III, Type V and Type V Photometry as per applications.

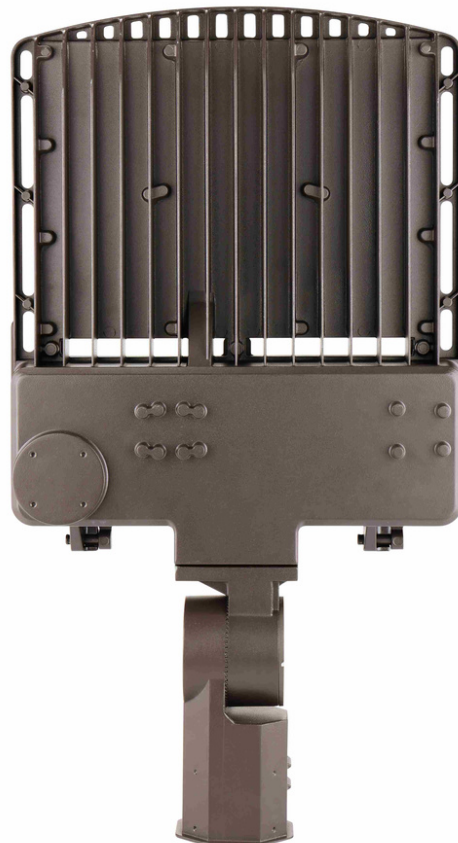
Photocell
Dusk to dawn controls can be utilized via optional NEMA twist-lock photocell.

Occupancy Sensor
Optional occupancy sensor allows for security and energy saving.

CCT & POWER Adjustable
Offer four selectable lumen output (40%/60%/80%/100%), and three selectable CCTs (30K/40K/50K)

Mounting
Optional for square, round pole mount, Slipfitter, wall mount, yoke mount. All mounting brackets are simple to operate, which can realize single operation and reduce labor costs.

POWER CCT
LV1 5KK
LV2 4KK
LV3 3KK
LV4



PARKING LOT LIGHTING

LED Area Light - CCT & Wattage Selectable

PRODUCT SPECIFICATIONS

SETTING	SYSTEM WATTS	DIST. TYPE	CRI	3000K		4000K		5000K	
				LUMENS	LPW	LUMENS	LPW	LUMENS	LPW
100%	180W	2	70	24800LM	138 LM/W	27000LM	150 LM/W	25200LM	140 LM/W
		3	70	24800LM	138 LM/W	27000LM	150 LM/W	25200LM	140 LM/W
		4	70	24800LM	138 LM/W	27000LM	150 LM/W	25200LM	140 LM/W
		5	70	25500LM	142 LM/W	28000LM	156 LM/W	26000LM	144 LM/W
80%	144W	2	70	20200LM	140 LM/W	22000LM	153 LM/W	20600LM	143 LM/W
		3	70	20200LM	140 LM/W	22000LM	153 LM/W	20600LM	143 LM/W
		4	70	20200LM	140 LM/W	22000LM	153 LM/W	20600LM	143 LM/W
		5	70	20800LM	144 LM/W	22800LM	158 LM/W	21000LM	146 LM/W
60%	108W	2	70	15300LM	142 LM/W	16800LM	156 LM/W	15700LM	145 LM/W
		3	70	15300LM	142 LM/W	16800LM	156 LM/W	15700LM	145 LM/W
		4	70	15300LM	142 LM/W	16800LM	156 LM/W	15700LM	145 LM/W
		5	70	15800LM	146 LM/W	17300LM	160 LM/W	16200LM	150 LM/W
40%	72W	2	70	10500LM	146 LM/W	11500LM	160 LM/W	10800LM	150 LM/W
		3	70	10500LM	146 LM/W	11500LM	160 LM/W	10800LM	150 LM/W
		4	70	10500LM	146 LM/W	11500LM	160 LM/W	10800LM	150 LM/W
		5	70	10800LM	150 LM/W	11800LM	164 LM/W	11000LM	153 LM/W

PHOTOMETRICS

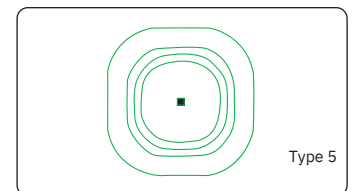
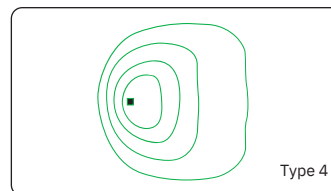
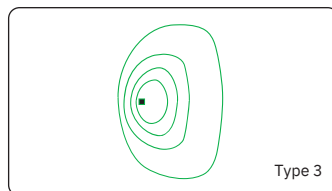
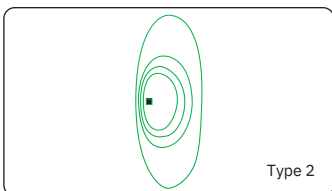
Offering a complete set of optical systems to meet every site lighting requirement. These systems provide remarkable flexibility in precisely matching light distribution patterns to specific site requirements.

Type 2 optics are ideal for applications where there is a need to space the luminaires farther apart along a road or pathway. The light distribution pattern is optimized for elongated areas, allowing for greater pole spacing without sacrificing lighting quality.

Type 3 optics produce an asymmetrical pattern that directs the majority of the light forward and equally on both sides of the luminaire. In a back-to-back configuration, it creates a rectangular pattern which can extend pole spacings.

Type 4 is suitable for applications where light is primarily required forward with minimal backlight. Typical installations include perimeter poles.

Type 5 optics produce a symmetrical square distribution pattern that distributes light equally on all sides of the luminaire. Type 5 luminaires is universal for most area lighting applications



PARKING LOT LIGHTING

LED Area Light - CCT & Wattage Selectable

MOUNTING

- Versatile Arm Mount accommodates multiple drilling patterns as well as square and round poles
- Optional slipfitter mounting adapter is compatible with more mounting adaptors such as round tenon

Mounting Options



Arm Mount
(4" and 5" Square and Round poles) Standard versatile mounting arm is simple to install and can be used with existing poles for retrofit installations.



Slipfitter Mount
An optional cast aluminum mast arm adapter secures fixture head to nominal 2-3/8" O.D. horizontal steel tenon arm.



Wall Mount
Wall Mount is easy to install for direct wall mounting with 1/2" conduit wiring or standard J-box mounting.

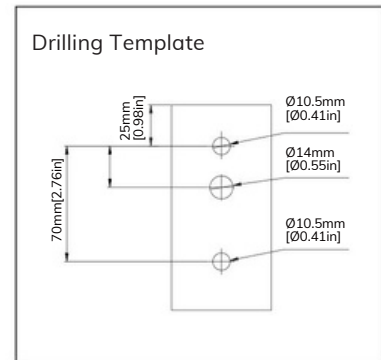
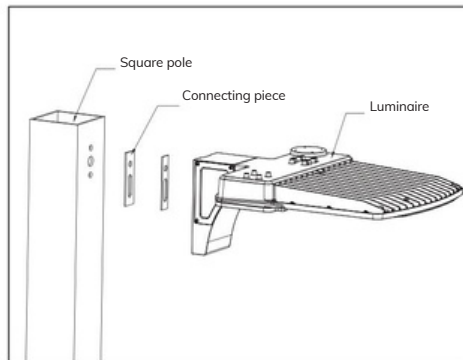
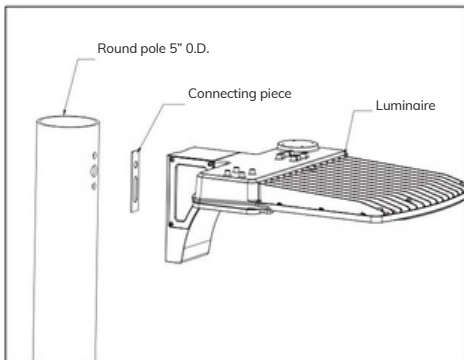


Yoke Mount
Die-cast aluminum trunnion is easily adapted to many surfaces and allows easy fixture aiming angles.



Adjustable Arm Mount
Standard versatile mounting arm is simple to install and can be used with existing poles for retrofit installations.

Mounting Dimensions



ORDERING

FIXTURE TYPE	WATTAGE	VOLTAGE	FINISH	PHOTOCELL (OPTION)	SENSOR (OPTION)	MOUNTING	OPTICS	CCT & POWER ADJUSTABLE
MAL08 Area Light Series	180 180W	27V 120-277V 48V 347-480V	D Dark Bronze B Black W White SG Silver Gray	P0 120-277V Photocell P3 347V Photocell P4 480V Photocell Blank Without Photocell	M With Sensor Blank Without Sensor	SQ Square Pole Mount SP Slipfitter Mount WM Wall Mount YK Yoke Mount SQA Adjustable Square Mount	T2 TYPE II T3 TYPE III T4 TYPE IV T5 TYPE V	AD With adjustment dial Blank Without adjustment dial