

Project Name:	Type:
Part Number:	Date:

# HID LOW / HIGH BAY LAMP

## FEATURES

- Integral driver suitable for 120-277V
- Integral surge protector:  
35W/65W: 4kV  
90W/120W/135W: 6kV
- Integral thermal sensor reduces power to the lamp in the event ambient temperature exceeds specified limitations (except 35W)
- Replaces up to a 400W HID
- Suitable for damp locations, not suitable for use in totally enclosed fixtures\*
- Lamp ambient temperature: -4°F to 140°F (-20°C to 60°C)
- Fixture operating temperature:  
35W/65W/90W/120W: -4°F to 113°F (-20°C to 45°C)  
135W: -4°F to 122°F (-20°C to 50°C)
- Rated lifetime (L70): 50,000hrs
- 5 years limited warranty
- Supplied with safety support cable
- Lamp CCT falls within 5 SDCM for consistent CCT



## SPECIFICATIONS

Product	Model	Equiv. (HID)	Input Voltage	Wattage	Lumens	CCT	CRI	Efficacy (LPW)	Beam Angle	Power Factor	THD	Fixture Rating	DLC / T24
35089	35HIDL840/BYP/E26/R	175W	120-277V	35	4,550	4000K	82	130	110°	0.9	<20%	Non-Enclosed	N.A. / N.A.
35090	35HIDL850/BYP/E26/R	175W	120-277V	35	4,650	5000K	82	133	110°	0.9	<20%	Non-Enclosed	N.A. / N.A.
35087	35HIDL840/BYP/EX39/R	175W	120-277V	35	4,550	4000K	82	130	110°	0.9	<20%	Non-Enclosed	√ / N.A.
35088	35HIDL850/BYP/EX39/R	175W	120-277V	35	4,650	5000K	82	133	110°	0.9	<20%	Non-Enclosed	√ / N.A.
35091	65HIDHB840/BYP/EX39/R	250W	120-277V	65	8,970	4000K	82	138	110°	0.9	<20%	Non-Enclosed	√ / N.A.
35092	65HIDHB850/BYP/EX39/R	250W	120-277V	65	9,100	5000K	82	140	110°	0.9	<20%	Non-Enclosed	√ / N.A.
35093	90HIDHB840/BYP/EX39/R	400W	120-277V	90	12,420	4000K	82	138	110°	0.9	<20%	Non-Enclosed	√ / N.A.
35094	90HIDHB850/BYP/EX39/R	400W	120-277V	90	12,600	5000K	82	140	110°	0.9	<20%	Non-Enclosed	√ / N.A.
35059	120HIDHB840/BYP/EX39	400W	120-277V	120	17,760	4000K	82	148	110°	0.9	<20%	Non-Enclosed	√ / N.A.
35060	120HIDHB850/BYP/EX39	400W	120-277V	120	18,000	5000K	82	150	110°	0.9	<20%	Non-Enclosed	√ / N.A.
34985	135HIDHB840/BYP/EX39	400W	120-277V	135	20,000	4000K	82	148	120°	0.9	<20%	Non-Enclosed	√ / N.A.
34986	135HIDHB850/BYP/EX39	400W	120-277V	135	20,000	5000K	82	148	120°	0.9	<20%	Non-Enclosed	√ / N.A.
35011	135HIDHBS840/BYP/EX39	400W	120-277V	135	20,000	4000K	82	148	120°	0.9	<20%	Non-Enclosed	√ / N.A.
35012	135HIDHBS850/BYP/EX39	400W	120-277V	135	20,000	5000K	82	148	120°	0.9	<20%	Non-Enclosed	√ / N.A.
35592	135HIDHBS840/BYP/EX39/T24	400W	120-277V	135	20,000	4000K	82	148	120°	0.9	<20%	Non-Enclosed	N.A. / √
35593	135HIDHBS850/BYP/EX39/T24	400W	120-277V	135	20,000	5000K	82	148	120°	0.9	<20%	Non-Enclosed	N.A. / √

Project Name:	Type:
Part Number:	Date:

# HID LOW / HIGH BAY LAMP

## SETTING GUIDE

**Default factory setting**

Applicable Models: 35011 135HIDHBSSEN/840/BYP/EX39  
 35012 135HIDHBSSEN/850/BYP/EX39

Detection Area	Hold Time	Stand-by period	Stand-by dim level	Daylight Sensor	Induction model
75%	5s	0s	10%	Disable	NA

**\*Title 24 compliance setting**

Applicable Models: 35592 135HIDHBSSEN/840/BYP/EX39/T24  
 35593 135HIDHBSSEN/850/BYP/EX39/T24

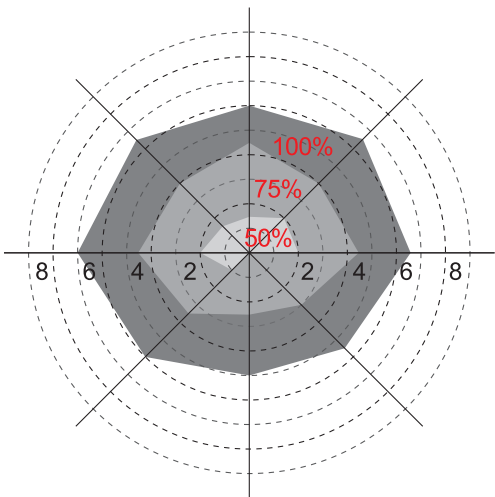
Detection Area	Hold Time	Stand-by period	Stand-by dim level	Daylight Sensor	Induction model
100%	10min	30min	10%	Disable	HS

\*Meet Title 24 compliance

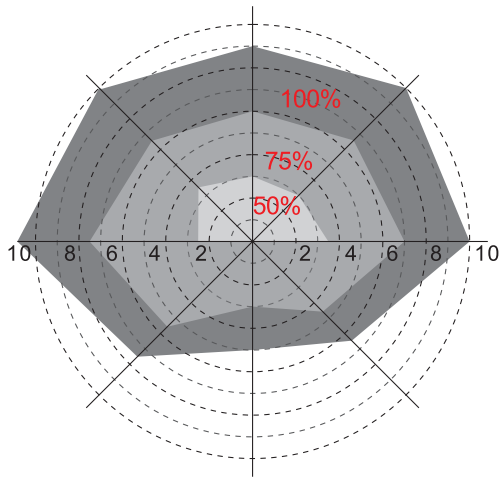
## RADIATION PATTERN

**Ceiling mounting**

Ceiling mounted height: 59ft  
 Sensitivity: 100%/75%/50%



Normal moving (Speed 4ft/s)

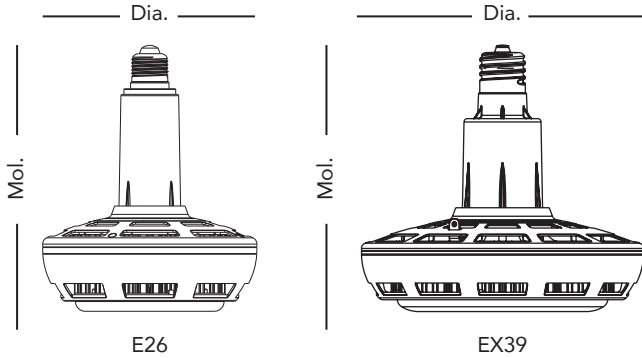


Slow moving (Speed 1ft/s)



# HID LOW / HIGH BAY LAMP

## DIMENSION & WEIGHT



Model	Base	Mol.	Dia.	Weight
35HIDLb/xxx/BYP/E26/R	E26	7-11/16"	6-1/8"	1.7 lb
35HIDLb/xxx/BYP/EX39/R	EX39	7-11/16"	6-1/8"	1.7 lb
65HIDHB/xxx/BYP/EX39/R	EX39	8-1/4"	7-11/16"	2.67 lb
90HIDHB/xxx/BYP/EX39/R	EX39	9-1/4"	9-1/2"	3.57 lb
120HIDHB/xxx/BYP/EX39	EX39	9-1/4"	9-1/2"	3.59 lb
135HIDHB/xxx/BYP/EX39	EX39	10-7/8"	9-13/16"	3.64 lb
135HIDHbSEN/xxx/BYP/EX39	EX39	10-7/8"	9-13/16"	3.64 lb
135HIDHbSEN/xxx/BYP/EX39/T24	EX39	10-7/8"	9-13/16"	3.64 lb

Where xxx means 824-965 which indicates CRI and color temperature

## \*MINIMUM COMPARTMENT DIMENSIONS

	Model	Diameter	Height	Maximum Lamps in Luminaire
35W HID 	35HIDLb/xxx/BYP/E26/R	10-1/2"	6-1/4"	1
	35HIDLb/xxx/BYP/EX39/R	10-1/2"	6-1/4"	1
	65HIDHB/xxx/BYP/EX39/R	13-13/16"	8-1/4"	1
65W / 90W / 120W / 135W HID 	90HIDHB/xxx/BYP/EX39/R	13-13/16"	8-1/4"	1
	120HIDHB/xxx/BYP/EX39	13-13/16"	8-1/4"	1
	135HIDHB/xxx/BYP/EX39	13-13/16"	8-1/4"	1
	135HIDHbSEN/xxx/BYP/EX39	13-13/16"	8-1/4"	1
	135HIDHbSEN/xxx/BYP/EX39/T24	13-13/16"	8-1/4"	1

\*Installing lamp in a fixture that does not have the minimum compartment dimensions will void the warranty and could cause product failures.

Where xxx means 824-965 which indicates CRI and color temperature

## TEMPERATURE

	Model	Fixture operating temperature	Lamp ambient temperature
35W HID 	35HIDLb/xxx/BYP/E26/R	-4°F to 113°F (-20°C to 45°C)	-4°F to 140°F (-20°C to 60°C)
	35HIDLb/xxx/BYP/EX39/R		
	65HIDHB/xxx/BYP/EX39/R		
65W / 90W / 120W / 135W HID 	90HIDHB/xxx/BYP/EX39/R	-4°F to 122°F (-20°C to 50°C)	-4°F to 140°F (-20°C to 60°C)
	120HIDHB/xxx/BYP/EX39		
	135HIDHB/xxx/BYP/EX39		
	135HIDHbSEN/xxx/BYP/EX39		
	135HIDHbSEN/xxx/BYP/EX39/T24		

Where xxx means 824-965 which indicates CRI and color temperature



# HID LOW / HIGH BAY LAMP

MOUNTING ORIENTATION	
Horizontal Installation	Vertical Installation

SUPPLIED ACCESSORY		
Description	Picture	Dimensions
Safety Cable		31-1/2"

OPTIONAL ACCESSORY ORDERING INFORMATION				
Product	Model	Description	Picture	Dimensions
97718	10SURGE/277V	10 kV Surge Protector for use in outdoor and other applications subject to high surge conditions.		
16325	E26 EXTENDER	E26 Lamp Extender adds 1-5/16" to lamp height.		
35050	E39 EXTENDER	EX39 Lamp Extender adds 1-11/16" to lamp height.		
35521	HID-SEN-REMOTE	Commissioning remote for 135HIDHBSN/xxx/BYP/EX39. <b>One remote required for all 135HIDHBSN/xxx/BYP/EX39 orders.</b>		